

MMZB-27G-X

27" Medical-Grade LCD Monitor

- 27" Medical-Grade Display
- Meets UL 60601-1 Ver. 3.1; IEC 60601-1-2 4th Edition
- White ABS Enclosure; Zero-Bezel Front Simplifies Cleaning
- Full HD Resolution: 1920 x 1080 (1080p/60)
- Internal Speakers
- Lockable On-Screen Controls
- 3 Year Warranty

The TRU-Vu MMZB-27G-X are 27" Medical-Grade monitors. They are certified to meet UL 60601-1 Version 3.1, and IEC 60601-1, 4th Edition. The screen is unaffected by dirt, grease or moisture on the glass surface. The sleek edge-to-edge glass front face, without a raised edge bezel, is both stylish and functional: it is easy to clean and eliminates contamination build-up under a bezel, as with standard-type housings. The MMZB-27G-X monitors are ideal for hospital operating rooms, endoscopy, OEM medical systems, PACS and other medical applications. Compatible with all Windows and most Linux operating systems.

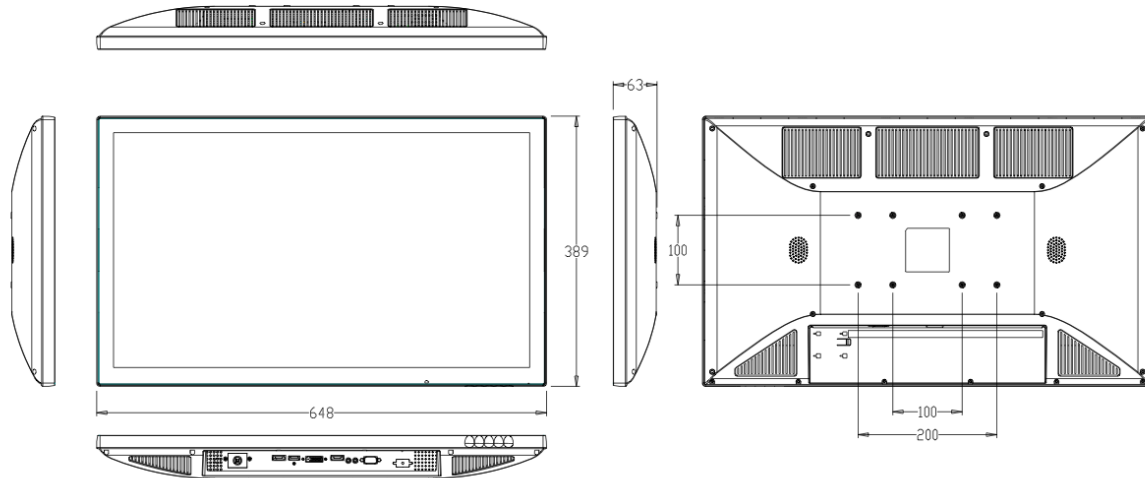
TRU-Vu customizable LCD monitors are specifically designed for use in demanding medical, industrial and commercial applications. Every TRU-Vu monitor utilizes industrial-grade components and high-end LCD panels not found in retail/consumer-grade monitors. This ensures superior image quality, improved performance and greater durability. Visit www.TRU-VuMonitors.com for more details.

| Specifications | |
|------------------------------|---|
| MODEL | MMZB-27G-X |
| LCD Panel | 27" Color LCD; LED Backlights |
| Resolution | 1920 x 1080 (Full HD) |
| Viewable Area | 23.53" (W) x 13.23" (H) (597.6 x 336.15mm) |
| Pixel Pitch | 0.311 mm |
| Display Colors | 16.7 Million |
| Aspect Ratio | 16:9 Widescreen |
| Brightness | 350 nits |
| Contrast Ratio | 3,000:1 |
| Viewing Angle | 178° (H) x 178° (V) |
| Response Time | 12 msec |
| Control | OSD (On-Screen Display) Via Front Buttons |
| Video Inputs | DVI, HDMI and DisplayPort |
| Audio | Dual Rear Speakers |
| Power Requirement | 100-240 VAC, 50/60 Hz via External Medical-Grade Power Supply with Green Dot Power Cord |
| Power Consumption | 75 W max (63 W typical) |
| Plug & Play | DDC 1/2B |
| Enclosure | Zero-Bezel Front; White (RAL 9003) ABS Rear Enclosure |
| Mounting | Rear 100mm x 100mm/200 x 100mm VESA Holes |
| Operating Temperature | 32° to 122° F (0° to 50° C) |
| Humidity | 5-90% RH |
| Shock | 50G Half-sine 20 msec |
| Vibration | 1.5G RMS 10-200 Hz |
| Dimensions | 25.51" (W) x 15.23" (H) x 2.48" (D) (648 x 389 x 63mm) |
| Weight | 15.23 lbs. (6.91kg) |
| Warranty | 3 Years |

MMZB-27G-X

27" Medical-Grade LCD Monitor

Dimensions:



Standard Accessories:

- External Medical-Grade Power Supply with Green Dot Power Cord

Available Options:

- DICOM Part 14 GSDF Calibration
- Private-Label
- Tabletop Base
- Other Customer-Specific Modifications