



### MMZB-23.8G-X

#### 23.8" Medical-Grade LCD Monitor

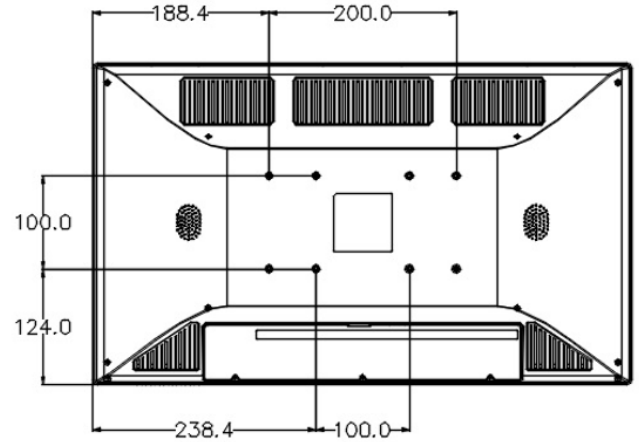
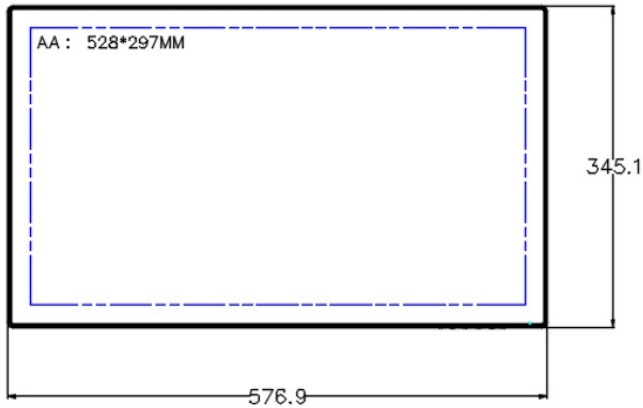
- 23.8" Medical-Grade LCD Display
- Meets UL 60601, Edition 3.1; IEC 60601-1, 1-2 Edition
- White ABS Rear Enclosure; Zero-Bezel Front
- Full HD Resolution: 1920 x 1080 (1080p/60)
- Internal Speakers
- Lockable On-Screen Controls
- 3-Year Warranty

The MMZB-23.8G-X Medical-Grade monitors conform to the latest UL 60601-1 (Edition 3.1; IEC 60601-1, 1-2 Edition) regulations. They are ideal for hospital OR/ER/ICU, patient monitoring and information, telemedicine, endoscopy and other medical applications. The MMZB-23.8G-X monitors feature full HD resolution, and provide excellent image quality, color fidelity and image contrast, enabling surgeons to make better and faster decisions with maximum accuracy. The sleek edge-to-edge glass front face, without a raised edge bezel, is both stylish and functional: it is easy to clean and eliminates contamination build-up under the bezel, as with standard enclosures. The robust yet lightweight design and VESA-compliant rear mounting holes enable flexible mounting options for wall mounts, booms, and mobile carts. The MMZB-23.8G-X monitors are designed to operate 24/7, and are backed by our full 3-year warranty.

Specifications	
<b>MODEL</b>	<b>MMZB-23.8G-X</b>
<b>LCD Panel</b>	23.8" Color AHVA; LED Backlights
<b>Display Resolution</b>	1920 x 1080 (1080p/60)
<b>Viewable Area</b>	20.75" x 11.67" (527.2 x 296.46 mm)
<b>Pixel Pitch</b>	0.2745 mm
<b>Display Colors</b>	16.7 M
<b>Aspect Ratio</b>	16:9
<b>Brightness</b>	400 nits
<b>Contrast Ratio</b>	1,000:1
<b>Viewing Angle</b>	178° (H) x 178° (V)
<b>Response Time</b>	14 ms Gray to Gray
<b>Control</b>	OSD (On-Screen Display) via Pushbuttons
<b>Video Inputs</b>	DVI, HDMI, DisplayPort
<b>Power Requirement</b>	90-240 VAC via External Medical-Grade Power Supply
<b>Power Consumption</b>	20W
<b>Enclosure</b>	White (RAL 9003) ABS; Zero-Bezel Front with Anti-Reflective Glass
<b>Mounting</b>	Via 100x100mm Rear VESA Mount Holes
<b>Operating Temp.</b>	+32 to +122°F (0° to +50°C)
<b>Humidity</b>	5-90% Non-Condensing
<b>Shock</b>	50G, Half-sine Wave, 20ms, X/Y/Z
<b>Vibration</b>	Acceleration: 1.5 Grms; Random Wave; 10-200Hz; 30 mins Per Axis (X,Y,Z)
<b>Certification</b>	UL: ANSI/AAMI ES60601-1 (2005/(R)2012 + A1:2012, C1:2009/(R)2012 + A2:2010/(R)2012) - Amendment 1 - Revision Date 2012/08/21; CAN/CSAC22.2 No. 60601-1:14 - Edition 3 - Revision Date 2014/03; CB: IEC 60601-1-6:2010/AMD1:2013, IEC 60601-1-6:2010, IEC 60601-1:2005/AMD1:2012, IEC 60601-1:2005; FCC Part 18, Subpart C; CE: EN60601-1-2:2015
<b>Dimensions</b>	22.71" (W) x 13.58" (H) x 2.43" (D) (576.9 x 345.1 x 61.7 mm)
<b>Weight</b>	TBD
<b>Warranty</b>	3-Year

### MMZB-23.8G-X

23.8" Medical-Grade Zero-Bezel LCD Monitor



#### Standard Accessories:

- Medical-Grade AC Power Supply
- Hospital-Grade Green Dot Power Cord
- DVI Cable
- HDMI Cable
- Audio Cable

#### Available Options:

- Tabletop Base
- P-Cap Touch Screen
- Private Label
- Black Enclosure
- Other Custom-Specific Modifications