



MM-27 Series

27" Medical-Grade LCD Monitor

- 27" Medical-Grade LCD Display
- Meets UL 60601, 3rd Edition
- Full HD Resolution: 1920 x 1080 (1080p/60)
- LED Backlights
- Lockable On-Screen Display Controls
- 3-Year Warranty

The MM-27 Series Medical-Grade monitors conform to the latest UL 60601-1 (3rd Edition) regulations. They are ideal for hospital OR/ER/ICU, patient monitoring and information, telemedicine, endoscopy and other medical applications. The MM-27 Series monitors feature full HD resolution, and provide excellent image quality, color fidelity and image contrast, enabling surgeons to make better and faster decisions with maximum accuracy. The robust yet lightweight design and VESA-compliant rear mounting holes enable flexible mounting options for wall mounts, booms and mobile carts. The MM-27 Series monitors are designed to operate 24/7, and are backed by our full 3-year warranty.

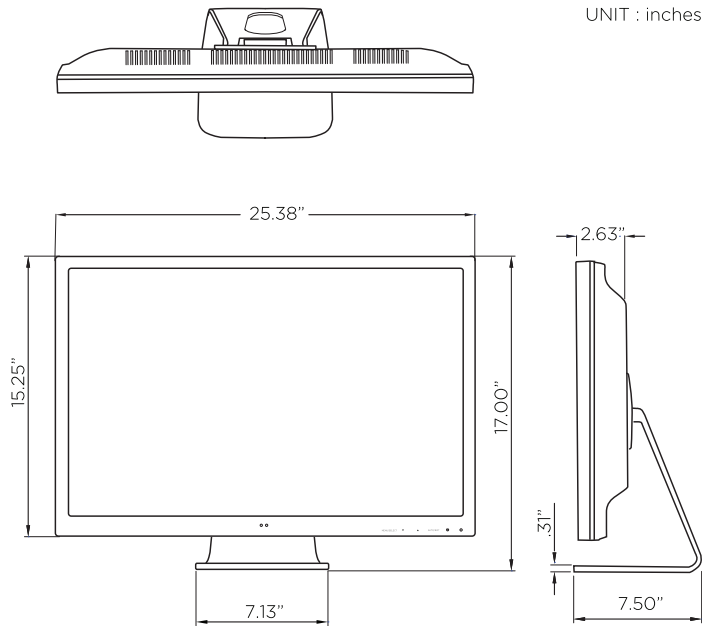
All TRU-Vu industrial LCD monitors are specifically designed for use in demanding applications. Every TRU-Vu monitor utilizes industrial-grade components and high-end LCD panels not found in retail/consumer-grade monitors. This ensures superior image quality, improved performance, greater durability, and a longer life. Visit www.TRU-VuMonitors.com for more details.

		Specifications		
MODEL	MM-27C	MM-27R	MM-27R-X	
LCD Panel	27" Color LCD; LED Backlights			
Display Resolution	1920 x 1080			
Viewable Area	23.53" (W) x 13.23" (H) (597.6 x 336.15 mm)			
Pixel Pitch	0.311 mm			
Display Colors	16.7 M			
Aspect Ratio	16:9			
Brightness	300 nits			
Contrast Ratio	3,000:1			
Viewing Angle	178° (H) x 178° (V)			
Response Time	12 ms			
Control	OSD (On-Screen Display) via Front Pushbuttons			
Video Inputs	VGA & DVI-D	VGA, HDMI, DisplayPort		
Audio	Dual Rear Speakers			
Power Requirement	90-240 VAC with Green-Dot Power Cord (Also available with External Medical-Grade Power Supply)		12VDC with Green-Dot Power Cord (90-240VAC Via Included External Medical-Grade Power Supply)	
Power Consumption	24W			
Enclosure	ABS (White)			
Mounting	Included Tabletop Base or Via 100x100mm/200x100mm Rear VESA Mount Holes			
Operating Temperature	+32 to +122°F (0-50°C)			
Humidity	5-90% Non-Condensing			
Shock	50G, Half-sine Wave, 20ms, X/Y/Z			
Vibration	Acceleration: 1.5 Grms; Random Wave; 10-200Hz; 30 mins Per Axis (X,Y,Z)			
Dimensions	25.38" (W) x 15.25" (H) x 2.63" (D) (644.65 x 387.35 x 66.8 mm)			
Weight	12.39lbs. (5.62 kg)			

MM-27 Series

27" Medical-Grade LCD Monitors

Dimensions:



Standard Accessories:

- Tabletop Base
- Hospital-Grade Green-Dot Power Cord
- VGA Cable
- DVI Cable ("C" Version Only)
- HDMI Cable ("R" Versions)

Available Options:

- Tabletop Base
- External Medical-Grade AC Power
- Touch Screen
- Zero-Bezel Enclosure
- DICOM Part 14 GSDF Calibration
- Private Label
- Other Customer-Specific Modifications