

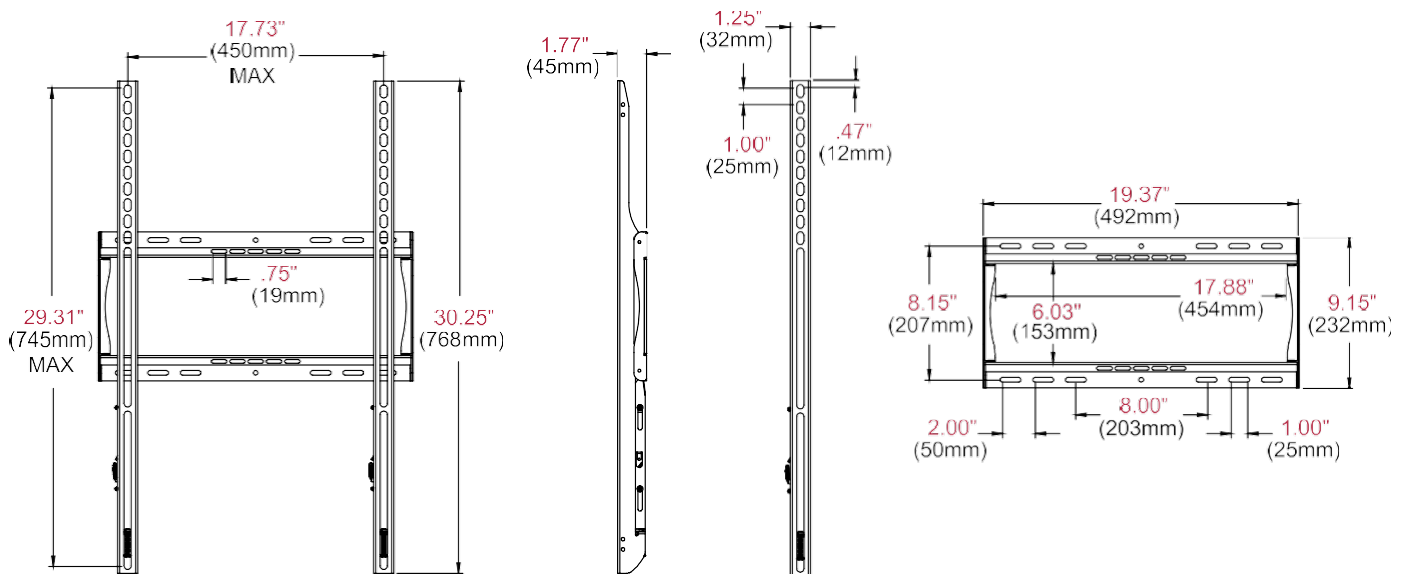


MB-665P

Outdoor Universal Flat Mount for 42" to 80" Displays (Portrait Mode Only)

- Made of Corrosion Resistant materials for outdoor use
- Low-profile design holds display only 1.77" (45mm) from the wall in portrait mode
- Safety latch ensures display is securely attached to wall plate
- Universal display adaptors easily hook onto the wall plate for fast installation
- Universal mount fits displays with mounting patterns up to 450 x 745mm (17.73"W x 29.31"H) and up to 400 x 600mm VESA compliant, in portrait mode only
- Open wall plate design allows for total wall access, increasing electrical and cable management options
- Maximum load capacity: 150 lbs. (68kg)

Dimensions



FRONT VIEW

SIDE VIEW

ADAPTOR BRACKET

WALL PLATE