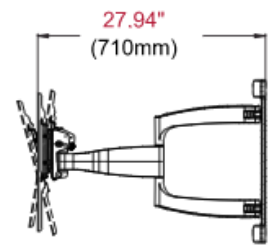
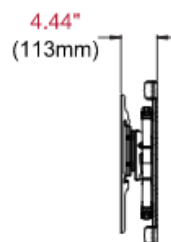
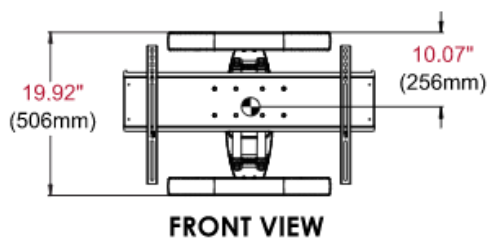
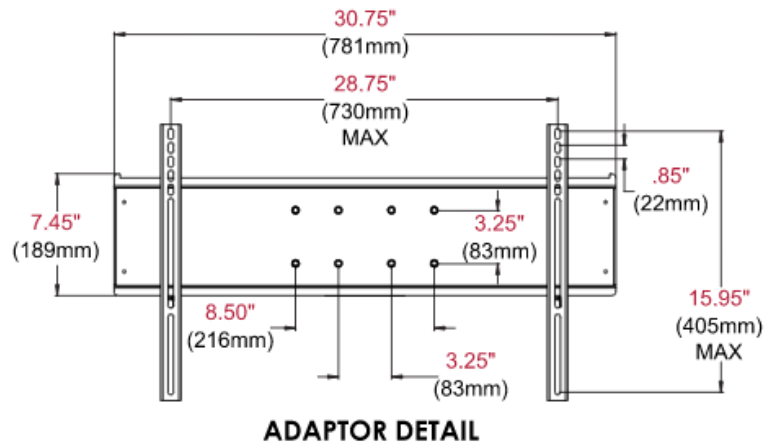
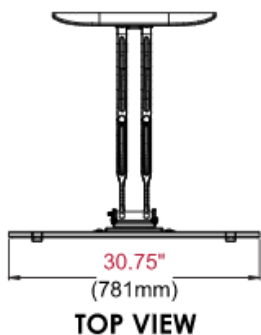


MB-267

Outdoor Articulating Wall Mount

- Made of Corrosion Resistant materials for weather resistance
- Fits displays with mounting patterns up to 600 x 400mm VESA compliant
- Dual arm construction for added strength and smooth motion on larger displays
- Universal model extends from 4.44" (113mm) to 27.94" (710mm) from the wall
- Minimalistic wall plate footprint for increased wall access and improved aesthetic
- Tilt adjustment of up to +15°/-5°
- Wood, concrete or cinder block mounting hardware included
- Maximum Load Capacity: 200 lbs. (91 kg)

Dimensions:



+15°/-5° TILT