



MM-24 Series

24" Medical-Grade LCD Monitor

- 24" Medical-Grade LCD Display
- Meets UL 60601, 3rd Edition
- Full HD Resolution: 1920 x 1080 (1080p/60)
- Video Inputs: VGA, DVI, HDMI, DisplayPort
- Internal Speakers
- Lockable On-Screen Display Controls
- 3 Year Warranty

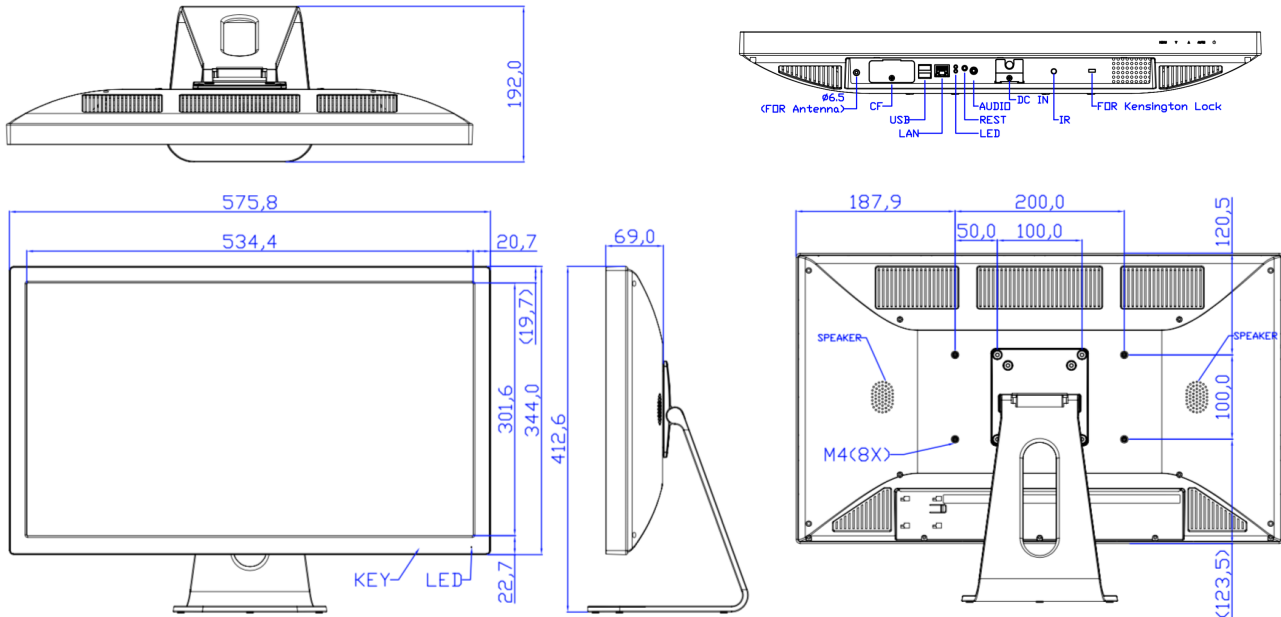
The MM-24 Series Medical-Grade monitors conform to the latest UL 60601-1 3rd edition regulations. They are ideal for hospital OR/ER/ICU, patient monitoring and information, telemedicine, endoscopy, and other medical applications. The MM-24 Series monitors feature full HD resolution, and provide excellent image quality, color fidelity and image contrast, enabling surgeons to make better and faster decisions with maximum accuracy. The robust yet lightweight design and VESA-compliant rear mounting holes enable flexible mounting options for wall mounts, booms and mobile carts. The MM-24 Series monitors are designed to operate 24/7, and are backed by our full 3-year warranty.

All TRU-Vu industrial LCD monitors are specifically designed for use in demanding applications. Every TRU-Vu monitor utilizes industrial-grade components and high-end LCD panels not found in retail/consumer-grade monitors. This ensures superior image quality, improved performance, greater durability, and a longer life. Visit www.TRU-VuMonitors.com for more details.

	Specifications	
MODEL	MM-24C	MM-24R
LCD Panel	24" Color LCD; LED Backlights	
Display Resolution	1920 x 1080 (1080p/60 Full HD)	
Viewable Area	20.92" x 11.77" (531.4 x 298.9 mm)	
Pixel Pitch	0.277mm	
Display Colors	16.7 M	
Aspect Ratio	16:9	
Brightness	300 nits	
Contrast Ratio	5,000:1	
Viewing Angle	178° (H) x 178° (V)	
Response Time	25 ms Trf	
Control	OSD (On-Screen Display) via Front Pushbuttons	
Video Inputs	VGA & DVI-D	VGA, HDMI, DisplayPort
Audio	Dual Rear Speakers	
Power Requirement	90-240 VAC with Green-Dot Power Cord (Also available with External Medical-Grade Power Supply)	
Power Consumption	24W	
Enclosure	ABS (White)	
Mounting	Included Tabletop Base or Via 100x100/200x100mm Rear VESA Mount Holes	
Operating Temperature	32° to 122° F (0° to 50° C)	
Humidity	5-90% RH	
Shock	50G, Half-sine Wave, 20ms, X/Y/Z	
Vibration	Acceleration: 1.5 Grms; Random Wave; 10-200Hz; 30 mins Per Axis (X,Y,Z)	
Dimensions	22.67" (W) x 13.54" (H) x 2.71" (D) (575.8 x 344 x 69 mm)	
Weight	10.52 lbs. (4.77 kg)	
Warranty	3 Years	

MM-24 Series 24" Medical-Grade LCD Monitor

Dimensions: (mm)



Standard Accessories:

- Hospital-Grade Green-Dot Power Cord
- VGA Cable
- HDMI Cable ("R" Version only)
- DisplayPort ("R" Version only)
- Audio Cable
- Tabletop Base

Available Options:

- 12VDC Operation with External Medical-Grade AC Power Supply
- Touch Screen
- DICOM Part 14 GSDF Calibration
- Private-Label
- Other Customer-Specific Modifications