

SRMOB-19 Series

19" Optically Bonded Sunlight Readable Monitors



- Produces Clear, Sharp Images Even in Direct Bright Sunlight
- 1,000 to 1,200 nits Brightness
- Optical Bonding Improves Contrast Ratio
- LED Backlights
- Protective Anti-Reflective Glass
- Lockable OSD Controls
- **TRU-Tuff** Treatment for Maximum Shock/Vibration Resistance
- 3 Year Warranty

The SRMOB-19B Series Optically Bonded Sunlight Readable LCD monitors are designed to operate in direct bright sunlight, or in other high ambient-light conditions. They utilize intensely bright backlights to produce over 1,000 nits of brightness. This results in amazingly bright, crystal-clear images, even with direct, bright sunlight on the face of the screen. Anti-Reflective glass protects the LCD panel, and reduces glare. Optical Bonding eliminates internal reflections, improves the contrast ratio, eliminates the potential for internal condensation, and greatly strengthens the glass. The Cortez image processing board ensures the highest image quality. The SRMOB-19 Series Optically Bonded Sunlight Readable monitors are ideal for use in a wide range of industrial, law enforcement, aviation, marine, military, transportation, inspection, and advertising applications where viewability in direct bright sunlight is crucial.

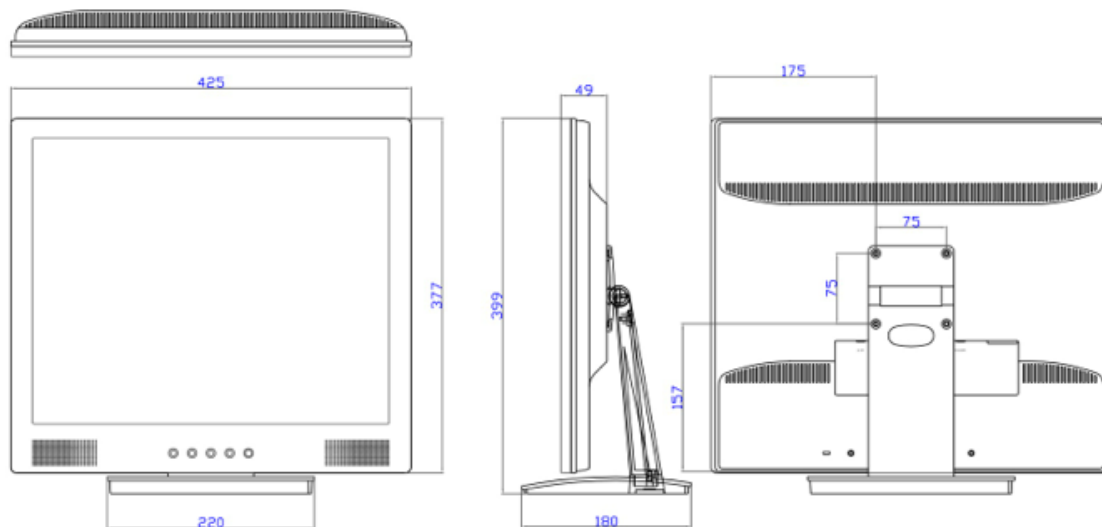
All TRU-Vu industrial LCD monitors are specifically designed for use in demanding applications. Every TRU-Vu monitor utilizes industrial-grade components and high-end LCD panels not found in retail/consumer-grade monitors. This ensures superior image quality, improved performance and greater durability.

Specifications			
MODEL	SRMOB-19B	SRMHOB-19B-HM	SRMHOB-19B-HSS
LCD Panel	19" Color TFT LCD Monitor		
Resolution	1280 x 1024 (SXGA)		
Image Size (mm)	14.81" (W) x 11.85" (H) (376.17 x 300.98 mm)		
Pixel Pitch	0.294mm x 0.294mm		
Display Colors	16.7 Million		
Aspect Ratio	4:3 (5:4)		
Brightness	1,000 nits	1,200 nits	
Contrast Ratio	1,200:1	1,000:1	
Viewing Angle	170° (H) x 160° (V)		
Response Time	5 msec Trf		
Control	OSD (On-Screen Display) via Front Panel Push buttons		
Video Inputs	VGA, Composite BNC Loop-Thru (1 BNC Input, 1 BNC Output) NTSC/PAL Auto-Recognition		
In / Output Impedance	75Ω / Auto Terminating Output		
Audio	Dual Front Speakers	Optional	
Power Requirement	12 VDC (90-240 VAC with Included Power Brick)	90-240 VAC	
Power Consumption	48 Watts		
Enclosure	ABS	Powder-Coated Steel	Stainless Steel
Mounting	Included Tabletop Base or 75 x 75 mm VESA Hole Pattern on Rear Panel	75 x 75mm VESA Hole Pattern on Rear Panel	
Operating Temperature	32° to 122° F / (0° to +50° C)	-22° to +185° F / (-30° to +85° C)	
Humidity	5-90% RH		
Shock	50 G (20 msec, 1/2 sine)		
Vibration	1.5G RMS 10-200 Hz		
Dimensions	16.5" (W) x 14.83" (H) x 1.95" (D) (419.09 (W) x 376.6 (H) x 49.52 (D) mm)	TBD	
Weight	11 lb / 5 kg		TBD

SRMOB-19 Series

19" Optically Bonded Sunlight Readable LCD Monitors

Dimensions: (For ABS Enclosure)



Standard Accessories:

- 90–240 VAC Power Brick
- VGA Cable
- Audio Cable (SRMOB-19B Model Only)
- Tabletop Base (SRMOB-19B Model Only)

Available Options:

- S-Video, HDMI, or DVI Video Inputs
- 24 VDC Operation
- Panel Mount
- Rack Mount
- Open-Frame Configuration
- Wall-Mount Bracket
- Private Label
- Other Customer – Specific Modifications