



SRMHXWP-12R

12" Sunlight Readable Waterproof Panel-Mount Monitor

- Produce Clear, Sharp Images Even in Direct Bright Sunlight
- 1,500 Nits Brightness
- Stainless Steel Panel-Mount Enclosure
- NEMA 4X / IP65 Waterproof Front Face
- Resolution: 1024 x 768
- Ambient Light Sensor to Adjust Screen Brightness Automatically
- Auto Re-Start After Power Loss

The SRMHXWP-12R Series Sunlight Readable waterproof panel-mount monitors are designed to operate in direct bright sunlight, or in other high ambient-light conditions. They utilize state-of-the-art LED backlights to produce over 1,500 nits of brightness (vs. 250-300 nits for standard monitors). They are ideal for wash-down environments or where liquids, steam or moisture may damage standard monitors. The SRMHXWP-12R is perfect for use in a wide range of industrial, marine, military, manufacturing, inspection, advertising and transportation applications where viewability in direct, bright sunlight is crucial.

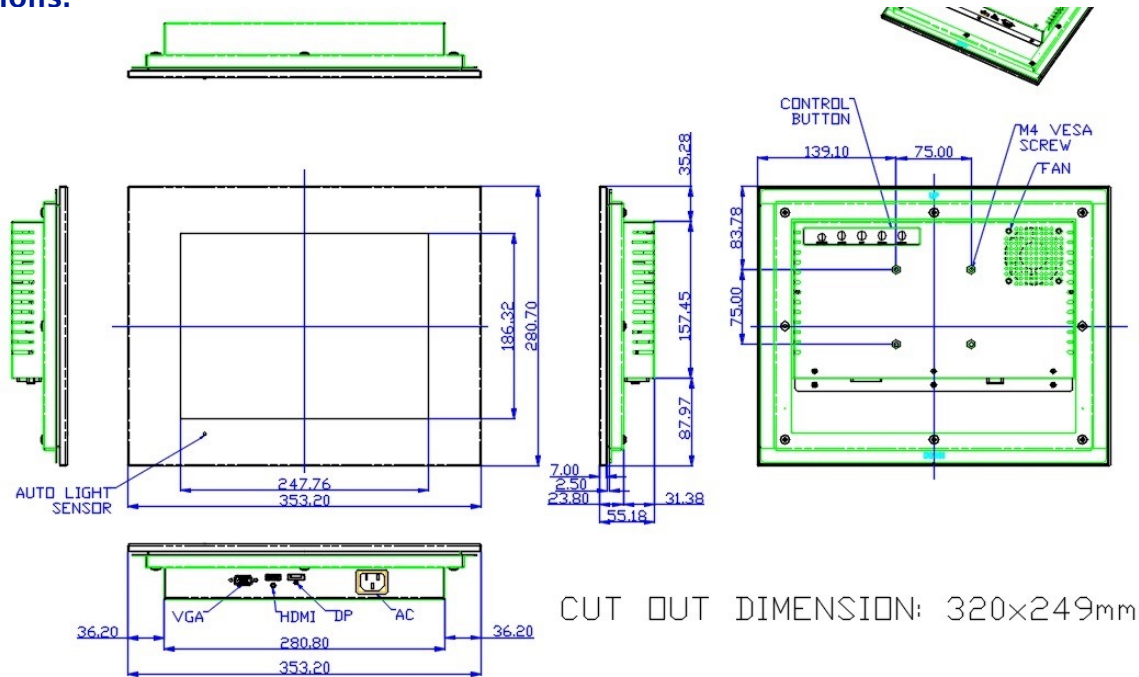
All TRU-Vu industrial LCD monitors are specifically designed for use in demanding applications. Every TRU-Vu monitor utilizes industrial-grade components and high-end LCD panels not found in retail/consumer-grade monitors. This ensures superior image quality, improved performance and greater durability. Our 3-Year Warranty ensures you of reliable worry-free operation. Visit www.TRU-VuMonitors.com for more details.

	Specifications
MODEL	SRMHXWP-12R
LCD Panel	12" Color TN Panel (LED Backlights)
Resolution	1024 x 768 (XGA)
Viewable Area	9.67" (W) x 7.26" (H) (245.76 x 184.32 mm)
Pixel Pitch	0.240mm
Display Colors	16.2 M
Aspect Ratio	4:3
Brightness	1,500 nits
Contrast Ratio	700:1
Viewing Angle	160° (H) x 160° (V)
Response Time	35 msec Trf
Control	OSD (On-Screen Display) via Rear Panel Pushbuttons
Video Inputs	VGA, HDMI, DisplayPort
Power Requirement	90-240 VAC
Power Consumption	TBD
Enclosure	Panel-Mount with Rear Clamp; Stainless Steel
Enclosure Rating	NEMA 4X / IP65
Operating Temperature	-22° to 185° F (-30 to 85° C)
Shock/Vibration	120 G (20 msec, ½ sine) / 1.0 G RMS 10-3
Dimensions	TBD
Warranty	3 Years

SRMHXWP-12R

12" Sunlight Readable Waterproof Panel-Mount Monitor

Dimensions:



Standard Accessories:

- AC Power Cord
- VGA Cables
- HDMI Cables

Available Options:

- 12-24 VDC Operation
- DVI Input
- Optical Bonding
- Touch Screen
- Private-Label