

VMXWP-15.6Z

15.6" Waterproof Panel Mount Monitor



- Painted Steel Panel-Mount Enclosure
- Waterproof NEMA 4/IP 65 Front Face
- Video Inputs: VGA, HDMI, HD-SDI, Composite BNC Loop-Thru
- Lockable On-Screen Display (OSD) Controls
- Protective Anti-Reflective Glass
- Auto Re-Start After Power Loss
- TRU-Tuff Ensures Maximum Shock/Vibration Resistance
- 3-Year Warranty

The VMXWP-15.6Z are 15.6" waterproof panel mount monitors. Resolution is 1920 x 1080 (Full HD) . It has a 16:9 aspect ratio. This series features a NEMA 4X/IP65 (Rear Clamp) Stainless Steel waterproof panel mount enclosure. They operate on 12 VDC / 90-240VAC. Operating temperatures are 14° to 140°F (-10° to 60°C) For longer transmission distances, the VMXWP-15.6Z features an HD-SDI input.

INDUSTRIAL NEMA 4 WATERPROOF MONITORS

The VMXWP-15.6Z waterproof monitors are extremely rugged. For instance, we build them with true industrial-grade components. Furthermore, they receive our exclusive TRU-Tuff treatment. The TRU-Tuff process includes RTV silicone on all connections and critical components. Additionally, we dress all wires, tie-wrap and secure them. Lastly, we apply ThreadLock to all screws. Our industrial-grade 15.6" panel mounted waterproof monitors are ideal for wet environments.



15.6" WATER PROOF MONITOR PANEL MOUNT IP65

TRU-Vu 15.6" water proof panel mount displays are built for demanding environments and applications. The front of the stainless steel panel-mount enclosure has a NEMA 4X/IP65 waterproof rating. The steel rear-clamp design ensures rock-solid installation. There's also a handy guide on how to install a monitor into a door, wall or cabinet.. This series is ideal for use in wash-down environments such as food processing plants and other manufacturing facilities. For use in direct sunlight, we also offer our sunlight readable models, with 1,000 nits of brightness.

EXTREME OPERATING TEMPERATURES FOR WATER PROOF LCD

We design the VMXWP-15.6Z water proof monitors to operate in nearly any environmental conditions. Whether in frigid conditions or blazing heat, these displays will survive and thrive. To clarify, they will operate in temperatures down to 14°F (-10°C). They will also withstand brutal heat. Operating temperatures go up to 140°F (60°C). The rugged stainless steel enclosure assures these 15.6" waterproof lcd monitors will provide years of reliable imaging performance. Specifically, typical MTBF for these monitors is 50,000 hours.

FLUSH MOUNT WATER PROOF MONITORS DEPLOYED WORLDWIDE

Our 15.6" water proof panel mount monitors have been deployed in a wide range of demanding industries. For example, military, law enforcement, industrial manufacturing, oil and gas, and entertainment benefit. They are also found in inspection, kiosks, heavy equipment, and transportation. TRU-Vu monitors are backed by our full 3-Year Warranty. Consequently, this ensures you of many years of reliable service.

We specialize in providing industrial-grade monitors and touch-screens for challenging environments. However demanding your application may be, we will provide the very best solution. Our vast client base shows our versatility in providing the very best LCD monitors in the industry.

OUR TECHNICAL EXPERTS WILL ASSIST IN FINDING THE BEST PANEL MOUNT MONITOR

With over 200 LCD monitors and touch screens on our site, selecting the ideal solution may be a bit overwhelming. To help narrow-down the choices, check out our [Advanced Search Tool](#). This enables you filter by your own specific search requirements. Shop by size [13.3" - 19" Monitors](#) or filter by [brightness](#) to view other models with similar features. We also offer our 15.6" monitors/ touch screens as [Medical Grade Display](#) solutions. TRU-Vu can provide modified or [Custom OEM LCD Displays](#). [Private Label Monitors](#) are also an option if you have very specific requirements.

Finally, our team members are ready to help! We can determine the exact solution that will meet your specific needs. Certainly, TRU-Vu will help provide crystal-clear images for your operating requirements. Call **(847) 259-2344** today to speak with one of our specialists. Above all, we will listen. It's one of the things we do best. Our professional advisors will ensure the monitor or touch screen you receive will do everything you had hoped it would!

If you prefer, fill out a [quick form](#) with your requirements, and we will guide you to the proper models that will work best. To see technical information, tips, and guides to LCD monitor technology, visit our [TECH CENTER](#).

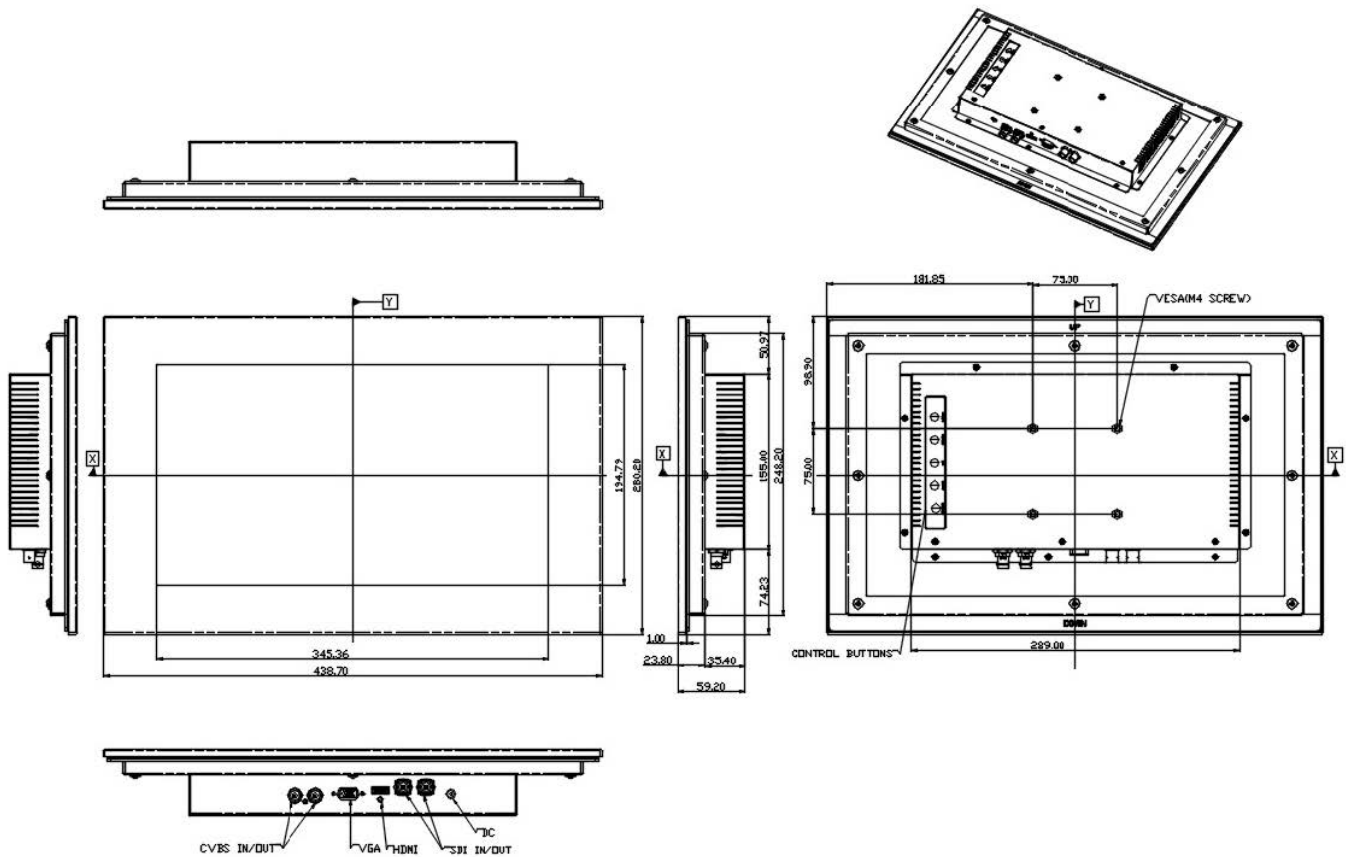
SPECIFICATIONS

	VMXWP-15.6Z
LCD Panel	15.6" Color TN LCD Panel (LED Backlights)
Resolution	1920 x 1080 (Full HD)
Viewable Area	13.55" (W) x 7.62" (H) (344.16 x 193.59 mm)
Pixel Pitch	0.17925 mm
Display Colors	16.7 M
Aspect Ratio	16:9
Brightness	400 nits
Contrast Ratio	700:1
Response Time	8 msec Trf

	VMXWP-15.6Z
Viewing Angle	160° (H) x 140° (W)
Control	OSD (On-Screen Display) via Rear Panel Pushbuttons
Video Inputs	VGA, HDMI, HD-SDI, Composite BNC Loop-Thru
Power Requirement	12 VDC / 90-240VAC
Power Consumption	15 Watts
Enclosure	Painted Steel Panel-Mount (Rear Clamp)
Enclosure Rating	NEMA 4; Front: IP65
Operating Temperature	14° to 140° F (-10° to 60° C)
Humidity	8-90%RH
Shock	50 G (20 msec, ½ sine)
Vibration	1.5G RMS 10-200 HZ
Dimensions	17.27"(L) x 14.97"(W) x 2.33" (D) 438.70 (L) x 380.26 (W) x 59.20 (D) mm
Warranty	3 Years

Note: Specifications subject to change without notice.

DIMENSIONS (MM)



Standard Accessories:

- 90-240 VAC Power Supply
- HDMI Cable

Available Options:

- Touch Screen
- Private Label
- Other Customer - Specific Modifications