

## VMTRP-10.1C-24

### 10.1" Panel Mount Touch Screen Monitors

- 5-Wire Resistive Touch Screen
- Steel Panel Mount Enclosure
- Video Inputs: VGA, DVI
- Lockable On-Screen Display (OSD) Controls
- 24 VDC
- Auto Re-Start After Power Loss
- TRU-Tuff Ensures Maximum Shock/Vibration Resistance
- 3-Year Warranty
- TAA Compliant



### 10.1" TOUCHSCREEN WITH PANEL MOUNT ENCLOSURE

The VMTRP-10.1C-24 are 10.1" panel-mount touch screen monitors. It features 1280 x 800 resolution and 16:9 aspect ratio. It is available with 5-wire resistive touch screen. This panel-mounted touch screen offers 500 nits brightness and operates on 24VDC.

### 5-WIRE RESISTIVE FLUSH MOUNT TOUCH SCREEN

The VMTRP-10.1C-24 features a reliable 5-wire resistive touch screen. Therefore, the screen can be activated by nearly any object: exposed finger, gloved hand, stylus, pointer, etc. Unlike other touch technologies, the resistive touch screen surface will not be false-triggered by dirt, water or debris on the screen. This results in very robust long-term performance and reliability.



### RUGGED PANEL MOUNT ENCLOSURE

The VMTRP-10.1C-24 10.1" panel-mount touch screens feature a steel panel mount enclosure. Flush mount this touch screen into doors, cabinets or panels in manufacturing plants, kiosks, ships, vehicles or machines. With extended operating temperatures, these panel mounted touch screens are very versatile. The flush-mount design provides numerous

advantages. A panel-mount touch screen is less likely to be damaged, saves precious floor space and has a cleaner look than a stand-alone touch screen monitor. Optional rear VESA mount holes enable you to attach other devices to the rear panel. There's also a handy guide on how to install a panel mount monitor.

Panel-mounted touch screens are perfect for use in a wide range of industrial, military, manufacturing, inspection, food processing, and transportation applications.

**READY TO HELP YOU FIND THE BEST TOUCH SCREEN**

With over 200 LCD monitors and touch screens on our site, selecting the ideal monitor solution may be a bit overwhelming. To help narrow-down the choices, check out our **Advanced Search Tool**. This enables you to filter by your own specific important features. See all of our **daylight viewable and sunlight readable monitors**, or sort by size of **7-12" monitors**. View all **panel-mount monitors** or all **touch screens**. TRU-Vu Monitors also offers a wide range of **LCD monitor mounts and stands**. Custom **OEM LCD Displays** and **Private Label Monitors** are also an option if you have very specific requirements.

Remember, our team members are ready to help! We can determine the exact solution that will meet your specific needs . We will help provide crystal-clear images for your projects. Call (847) 259-2344 today to speak with one of our specialists. Above all, we will listen. It's one of the things we do best. Our professional advisors will ensure the monitor or touch screen you receive will be and do everything you had hoped it would!

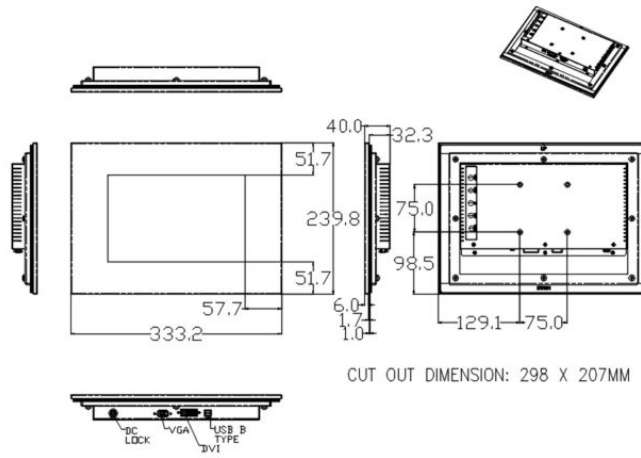
If you prefer, fill out a **quick form** with your requirements, and we will guide you to the proper models that will work best.

**SPECIFICATIONS**

	<b>VMTRP-10.1C-24</b>
LCD Panel	10.1" Color LCD; LED Backlights
Touch Screen Type	5-Wire Resistive Touch
Touch Screen Interface	USB
Resolution	1280 x 800 (WXGA)
Viewable Area	9.68 (W) x 7.27 (H) (245.76 x 184.32 mm)
Pixel Pitch	0.1695 mm
Display Colors	16.7M
Aspect Ratio	16:9
Brightness	500 nits
Contrast Ratio	800:1
Viewing Angle	170° (H) x 170° (V)
Response Time	25 Trf
Control	OSD (On-Screen Display) via Rear Panel Pushbuttons
Video Inputs	VGA, DVI
Power Requirement	24 VDC
Enclosure	Painted Steel Panel Mount
Operating Temperature	-4° to +158° F (-20° to +70° C)
Humidity	5-90% RH
Shock	50 G (20 msec, 1/2 sine)
Vibration	1.5 G (10-200 Hz P-P)
Dimensions	13.12" W x 9.44" H x 1.57" D (333.2mm W x 239.85mm H x 39.98mm D)
Included Accessories	VGA Cable, DVI Cable, USB Cable, 2.5mm Locking Power Pigtail

Note: Specifications subject to change without notice.

**DIMENSIONS (MM)**



**Standard Accessories:**

- VGA Cable
- DVI Cable
- 2.5mm Locking Power Pigtail
- USB Cable