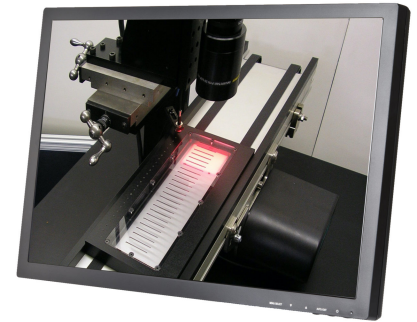


VMTR-21.5R-NB

21.5" Touch Screen Monitor

- Full HD Resolution: 1920 x 1080 (1080p/60)
- 5-Wire Resistive Touch
- Video Inputs: VGA, HDMI, DisplayPort
- Internal Speakers
- Lockable On-Screen Display Controls
- Can Be Customized To Meet Your Needs
- Auto Re-Start After Power Loss
- 3-Year Warranty
- TAA Compliant



21.5" TOUCH SCREEN MONITOR

The VMTR-21.5R-NB is a 21.5" Touch Screen monitor. The VMTR-21.5R-NB utilizes 5-Wire Resistive Touch technology. State-of-the-art LED backlights produce images that are exceptionally clear and bright. An extensive list of OEM options enables you to customize the VMTR-21.5R-NB touch screen monitors to meet your exact needs.

To help you guide you through the advantages of the 5 most common types of touch technology, see our tutorial on [touch screen basics](#).

Our convenient [touch screen comparison chart](#) will provide a quick overview of advantages and disadvantages of each type.

The VMTR-21.5R-NB are industrial 21.5" touch screen monitors. They offer 1920 x 1080 (1080p/60 Full HD) and a 16:9 aspect ratio. Additionally, the panels offer 250 nits brightness. They operate on 12 VDC/90-240 VAC. The operating temperature range is 32° to 140°F (0° to +60°C).

BEST TOUCH SCREEN MONITORS FOR DEMANDING APPLICATIONS

TRU-Vu industrial LCD monitors are specifically designed for use in demanding industrial, commercial, and A/V applications. For instance, every TRU-Vu monitor utilizes industrial-grade components and high-end LCD panels not found in retail or consumer-grade monitors. For example, they receive our exclusive TRU-Tuff treatment. Moreover, the TRU-Tuff process includes RTV silicone on all connections and critical components. Additionally, all wires are dressed, tie-wrapped and secured. Lastly, we apply ThreadLock to all screws to ensure they remain secured. Most importantly, this results in a rugged, dependable monitor you can rely on.

This ensures superior image quality, improved performance and greater durability. The result is crisp, vibrant video images. The VMTR-21.5R-NB industrial 21.5" LCD touchscreens offer a variety of video inputs. An extensive list of available OEM options enables you to customize a solution to your specific needs. We offer numerous other monitors in similar sizes from which to choose. They can also be private-labeled with your company name and/or logo on the front bezel.

21.5" TOUCH SCREENS DEPLOYED WORLDWIDE

The VMTR-21.5R-NB touch screens with 16:9 aspect ratio are deployed in many industries and applications. This includes manufacturing plants, machine vision inspection systems, and food and beverage plants. They are also found

in surveillance systems, specialty vehicles and museums. They are ideal for use with analog cameras, and BNC cameras. Likewise, many legacy machine vision systems benefit. We also offer our 21.5" monitors/ touch screens as Medical Grade Display solutions.

TRU-Vu monitors are backed by our full 3-year warranty. Consequently, this ensures you of many years of reliable service.

OUR EXPERTS ARE READY TO HELP YOU FIND THE BEST TOUCH SCREEN MONITOR

With over 200 LCD monitors and touch screens on our site, selecting the best touch screen monitor solution may be a bit overwhelming. To help narrow down the choices, check out our [Advanced Search Tool](#). For example, this enables you filter by your own specific search requirements. Shop by size [21.5" to 65" monitors](#), see our [full line of Touch Screen Monitors](#), filter by [standard brightness](#), or see all monitors that operate can operate on 24VDC for similar models to the VMTR-21.5R-NB. TRU-Vu can provide modified or Custom OEM LCD Displays. Private Label Monitors are also an option if you have very specific requirements. Visit our wide range of [LCD monitor mounts and stands](#) to complete your installation. All of our touch screen monitors are TAA Compliant, making them ideal for government use.

Finally, our team members are ready to help! We can determine the best touch screen monitor solution that will meet your specific needs. Certainly, TRU-Vu will help provide clear images for your operating requirements. Call (847) 259-2344 today to speak with one of our specialists. Above all, we will listen. It's one of the things we do best. Our professional advisors will ensure the monitor or touch screen you receive will be and do everything you had hoped it would!

If you prefer, fill out a [quick form](#) with your requirements, and we will guide you to the proper models that will work best.

To see technical information, tips, tricks and guides to LCD monitors and technology, visit our [TECH CENTER](#).

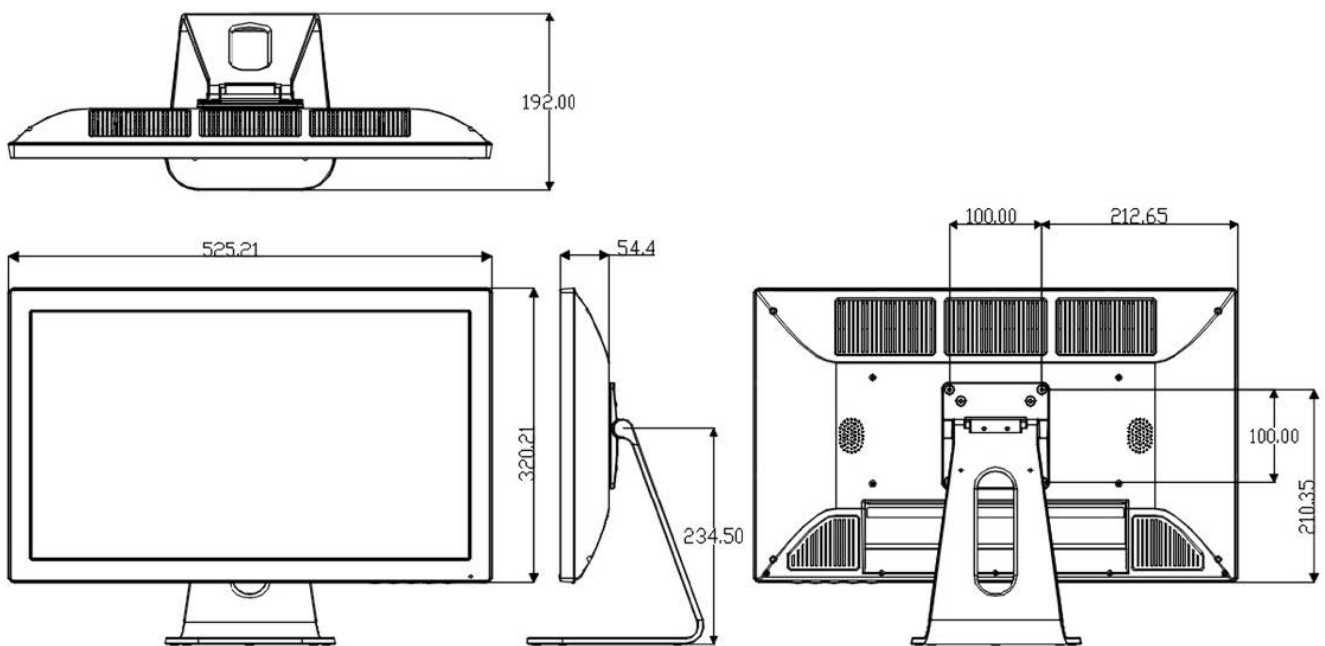
SPECIFICATIONS

	VMTR-21.5R-NB
LCD Panel	21.5" Color LCD; LED Backlights
Touch Technology	5-Wire Resistive
Touch Interface	USB
Display Resolution	1920 x 1080 (1080p/60 Full HD)
Viewable Area	18.76" x 10.55" (476.6 x 268.1 mm)
Pixel Pitch	0.248mm
Display Colors	16.7 M
Aspect Ratio	16:9
Brightness	250 nits
Contrast Ratio	3,000:1
Viewing Angle	178° (H) x 178° (V)
Response Time	18 ms Trf
Control	OSD (On-Screen Display) via Pushbuttons
Video Inputs	VGA, HDMI & DisplayPort
Audio	Speakers
Power Requirement	12-24VDC; 100-240VAC
Power Consumption	25W
Enclosure	ABS
Mounting	100 x 100 mm Rear VESA Mount Holes
Operating Temperature	32° to 140°F (0° to +60°C); 5-90% Non-Condensing RH
Shock	50G, Half-sine Wave, 20ms, X/Y/Z
Vibration	Acceleration: 1.5 G RMS; Random Wave; 10-200Hz; 30 mins Per Axis (X,Y,Z)

VMTR-21.5R-NB	
Dimensions	20.68" W x 12.60" H x 2.18" D (525.3 x 320 x 55.4mm)
Weight	9.8 lbs. (4.5 Kg)
Warranty	3-Years

Note: Specifications subject to change without notice.

DIMENSIONS (MM)



Standard Accessories:

- 90-240VAC External Power Brick
- VGA Cable
- HDMI Cable
- USB Cable
- Audio Cable

Available Options:

- Tabletop Base (TTB-27)
- P-Cap Touch (ZBMT-21.5 Series)
- Waterproof Panel Mount Enclosure (VMTPWP-21.5R-24)
- Steel Enclosure
- DVI Input
- Waterproof Enclosure
- Private Label
- Other Customer-Specific Modifications