

VMT-15.6 Series

15.6" Industrial-Grade Touch Screen LCD Monitor

- HD Resolution: 1366 x 768 (720p)
- SAW or Surface Capacitive Touch Screen
- Auto Re-Start After Power Loss
- *TRU-Tuff* Ensures Maximum Shock & Vibration Resistance
- Lockable On-Screen Display Controls
- 3-Year Warranty
- TAA Compliant



The VMT-15.6 Series are 15.6" Touch Screen monitors. The VMTC-15.6C is a S.A.W. (Surface Acoustic Wave) touch screen. It is designed for maximum light transmission and superb image quality. It has a durable glass surface with the highest level of scratch-resistance of any touch technology. The VMTC-15.6C utilizes a Surface Capacitive touch screen. It also features excellent image quality and a durable glass surface. The screen can only be activated via a bare human finger. This can prevent accidental false-triggering. State-of-the-art LED backlights produce images that are exceptionally clear and bright. An extensive list of OEM options enables you to customize the VMT-15.6 Series 15.6" touch screen monitors to meet your exact needs.

To help you guide you through the advantages of the 5 most common types of touch technology, see our tutorial on [touch screen basics](#).

Our convenient touch screen comparison chart will provide a quick overview of advantages and disadvantages of each type.

15.6" TOUCH SCREEN MONITOR

The VMT-15.6 Series are industrial 15.6" touch screen monitors. They offer 1366 x 768 (WXGA) (Will Accept Video Inputs up to 1920 x 1080 resolution) Input and a 16:9 aspect ratio. Additionally, the panels offer 300 nits brightness. They are ideal for use with analog cameras, and BNC cameras. Likewise, many legacy **machine vision** systems benefit. Furthermore, we build them with true industrial-grade components for long-term reliability. For example, they receive our exclusive TRU-Tuff treatment. Moreover, the TRU-Tuff process includes RTV silicone on all connections and critical components.

Additionally, all wires are dressed, tie-wrapped and secured. Lastly, we apply ThreadLock to all screws to ensure they remain secured. Most importantly, this results in a rugged, dependable monitor you can rely on. They can operate on 12VDC (90-240 VAC via Included Power Brick). The operating temperature range on this series is +32° to 140° F (0° to +60° C)

LCD DISPLAYS BUILT FOR DEMANDING APPLICATIONS

TRU-Vu industrial LCD monitors are specifically designed for use in demanding industrial, commercial, and A/V applications. For instance, every *TRU-Vu* monitor utilizes industrial-grade components and high-end LCD panels not found in retail or consumer-grade monitors. This ensures superior image quality, improved performance and greater durability. The result is crisp, vibrant video images.

The VMT-15.6 Series industrial 15.6" LCD touchscreens offer a variety of video inputs. An extensive list of available OEM options enables you to **customize** a solution to your specific needs. They can also be **private-labeled** with your company name and/or logo on the front bezel.

TOUCH-SCREENS DEPLOYED WORLDWIDE

The VMT-15.6 Series 15.6" resistive touch screens with 16:9 aspect ratio are deployed in many industries and applications. This includes manufacturing plants, machine vision inspection systems, and food and beverage plants. They are also found in surveillance systems, specialty vehicles and museums.

TRU-Vu monitors are backed by our full 3-year warranty. Consequently, this ensures you of many years of reliable service. All of our touch screen monitors are TAA Compliant, making them ideal for government use.

OUR TECHNICAL EXPERTS ARE READY TO HELP YOU FIND THE BEST DISPLAY

With over 200 LCD monitors and touch screens on our site, selecting the ideal equipment, or touch screen solution may be a bit overwhelming. To help narrow down the choices, check out our [Advanced Search Tool](#). For example, this enables you filter by your own specific search requirements. See our full line of [13.3" to 19" monitors](#) for similar models. We offer numerous other monitors and touch screens in [similar sizes](#) from which to choose. Browse all of our [Industrial Touch Screen](#) selections. We also offer our 15.6" monitors/ touch screens as [Medical Grade Display](#) solutions.

Finally, our team members are ready to help! We can determine the exact solution that will meet your specific needs. Certainly, TRU-Vu will help provide clear images for your operating requirements. Call **(847) 259-2344** today to speak with one of our specialists. Above all, we will listen. It's one of the things we do best. Our professional advisors will ensure the monitor or touch screen you receive will be and do everything you had hoped it would!

If you prefer, fill out a [quick form](#) with your requirements, and we will guide you to the proper models that will work best.

To see technical information, tips, tricks and guides to LCD monitors and technology, visit our [TECH CENTER](#).

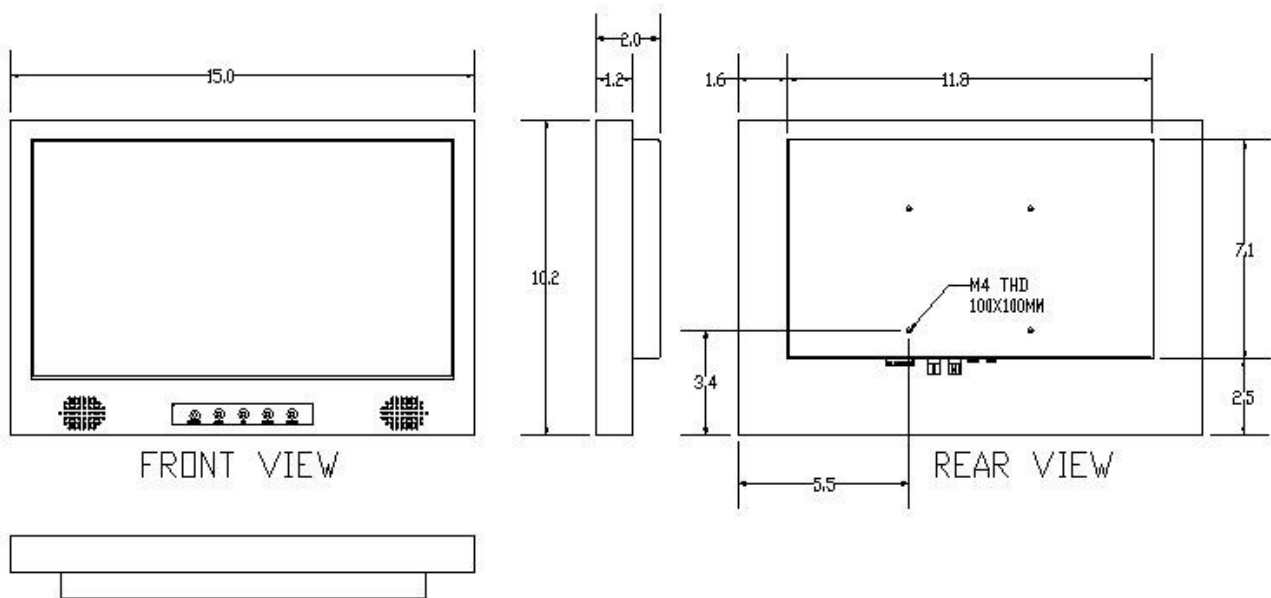
SPECIFICATIONS

	VMTS-15.6C	VMTC-15.6C
LCD Panel	15.6" Color LCD; LED Backlights	
Touch Technology	SAW (Surface Acoustic Wave)	Surface Capacitive
Touch Interface	USB	
Resolution	1366 x 768 (WXGA) (Will Accept Video Inputs up to 1920 x 1080 resolution)	
Viewable Area	13.55" (W) x 7.62" (H) (344.23 x 193.53 mm)	
Pixel Pitch	0.252mm	
Display Colors	16.2 M	
Aspect Ratio	16:9	
Brightness	300 nits	
Contrast Ratio	500:1	
Viewing Angle	170° (H) x 160° (V)	
Response Time	8 msec Trf	
Control	OSD (On-Screen Display) via Front Panel Pushbuttons	
Video Inputs	VGA and DVI	
In / Output Impedance	—	75Ω / Auto Terminating
Power Requirement	12VDC (90-240 VAC via Included Power Brick)	
Power Consumption	25 Watts	
Enclosure	Powder-Coated Steel	
Mounting	100x100mm Rear VESA Hole Pattern or Optional Tabletop Base	
Operating Temperature	+32° to 140° F (0° to +60° C)	
Humidity	5-90% RH	

	VMTS-15.6C	VMTC-15.6C
Shock	50 G (20 msec, ½ sine)	
Vibration	1.5G RMS 10-200 HZ	
Dimensions	15.0" (W) x 10.2" (H) x 2.0" (D) (381.0 x 259.08 x 50.80 mm)	
Weight	8.22 lbs. (3.73 kg)	

Note: Specifications subject to change without notice.

DIMENSIONS (MM)



Standard Accessories:

- VGA Cable
- DVI Cable
- 90-240VAC Power Supply
- USB Cable

Available Options:

- HDMI Input
- Dim-to-Black Pushbuttons
- Tabletop Base
- Speakers
- Resistive Touch Screen
- Panel Mount
- Open-Frame Configuration
- Private Label