

## VM/VML-15 Series

### Low-Cost Industrial-Grade Monitors

- 15" Industrial LCD Monitor
- 1024 x 768 Resolution
- Video Inputs: VGA, DVI-D, Composite, BNC Loop-Thru
- NTSC/PAL Auto-Recognition
- Lockable On-Screen Display Controls with Auto Re-Start After Power Loss
- 3-Year Warranty



## 15 INCH MONITOR 4:3 ASPECT RATIO

The VM-15 Series are industrial 15 inch LCD monitors, with 4:3 aspect ratio sometimes called square lcd monitors. They provide 1024 x 768 pixel resolution. Additionally, the panels offer 250 or 350 nits brightness. They are ideal for use with analog cameras, and BNC cameras. Likewise, many legacy machine vision systems benefit. Furthermore, we build them with true industrial-grade components for long-term reliability. For example, they receive our exclusive TRU-Tuff treatment. Moreover, the TRU-Tuff process includes RTV silicone on all connections and critical components. Additionally, all wires are dressed, tie-wrapped and secured. Lastly, we apply ThreadLock to all screws to ensure they remain secured. Most importantly, this results in a rugged, dependable monitor on which you can rely. They can operate on 12 VDC (90-240 VAC with Included Power Brick). Video Inputs are VGA, DVI-D, Composite, and BNC Loop-Thru.

### MONITORS BUILT FOR DEMANDING APPLICATIONS

The VM-15 Series provide 250 nits brightness, which results in crisp, vibrant video images. TRU-Vu industrial LCD monitors are specifically designed for use in demanding industrial, commercial, and A/V applications. For instance, every TRU-Vu monitor utilizes industrial-grade components and high-end LCD panels not found in retail or consumer-grade monitors. This ensures superior image quality, improved performance and greater durability.

The VM-15 Series industrial 15" LCD monitors offer a variety of video inputs and are available in standard, open frame, panel mount, NEMA/IP waterproof, and touch screen configurations. An extensive list of available OEM options enables you to customize a solution to your specific needs.

### TRU-VU 15" MONITORS DEPLOYED WORLDWIDE

The VM-15 Series 15" monitors with 4:3 aspect ratio are deployed in many industries and applications. This includes manufacturing plants, machine vision inspection systems, and food and beverage plants. They are also found in surveillance systems, specialty vehicles and museums.

TRU-Vu monitors are backed by our full 3-year warranty. Consequently, this ensures you of many years of reliable service.

### FIND THE BEST INDUSTRIAL 4:3 RATIO MONITOR

With over 200 LCD monitors and touch screens on our site, selecting the ideal equipment, or touch screen solution may be a bit overwhelming. To help narrow down the choices, check out our [Advanced Search Tool](#). For example, this enables you filter by your own specific search requirements. We offer numerous other monitors in similar sizes and brightness levels from which to choose. They can also be private-labeled with your company name and/or logo on the front bezel. Visit our wide range of LCD monitor mounts and stands to complete your installation.

Finally, our team members are ready to help! We can determine the exact solution that will meet your specific needs . Certainly, TRU-Vu will help provide clear images for your operating requirements . Call (847) 259-2344 today to speak with one of our specialists. Above all, we will listen. It's one of the things we do best. Our professional advisors will ensure the monitor or touch screen you receive will be and do everything you had hoped it would!

If you prefer, fill out a quick form with your requirements, and we will guide you to the proper models that will work best.

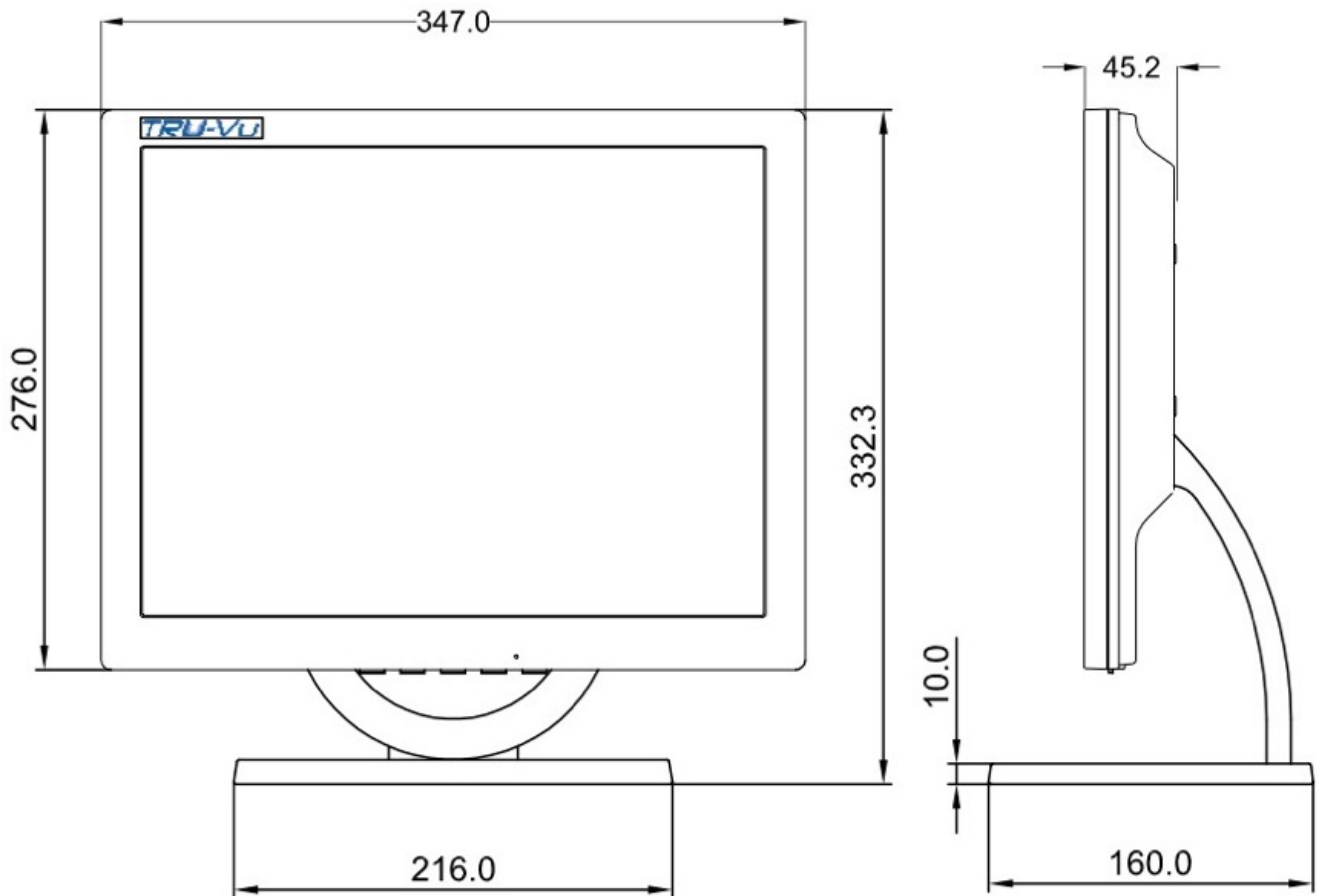
To see technical information, tips, tricks and guides to LCD monitors and technology, visit our [TECH CENTER](#).

## SPECIFICATIONS

	VML-15CL	VML-15BL	VM-15BL-DF
LCD Panel	15"Color LCD (LED Backlights)		15" Color LCD Defect-Free
Display Resolution	1024 x 768 (XGA)		
Viewable Area	11.97" (W) x 8.98" (H) (304.12 x 228.09 mm)		
Pixel Pitch	0.297mm		
Display Colors	16.2 M		
Aspect Ratio	4:3		
Brightness	250 nits		350 nits
Contrast Ratio	700:1		
Viewing Angle	170° (H) x 160° (V)		
Response Time	8 msec (gray to gray)		
Control	OSD (On-Screen Display) via Front Panel Pushbuttons		
Video Inputs	VGA-DVI-D	VGA, Composite (BNC Loop-Thru) NTSC/PAL Auto- Recognition	
Video Outputs	—	1 BNC Output	
Audio	Optional		
Power Requirement	12 VDC(2.1mm Connector) / 90-240 VAC with Included Power Brick		
Power Consumption	25 Watts		
Enclosure	ABS		
Mounting	Included Base or 75x75mm Rear VESA Mount Holes		
Operating Temperature	+32° to +140° F (0° to +60° C)		32° to 149° F (0° to 65°C)
Humidity	8-90% RH		5-90% RH
Shock	50 G (20 msec, 1/2 sine)		
Vibration	1.5G RMS 10-200 HZ		
Approvals	UL/cUL, FCC, CE, TUV, RoHS		
Dimensions	13.66" (W) x 10.87" (H) x 1.78" (D) (347 x 276 x 45.2 mm)		13.7" (W) x 11.66 (H) x 1.5" (D) / 347.97 (W) x 294.64 (H) x 38.09 (D) mm
Weight	5.16 lbs. (2.34 kg)		6.2 lbs (2.8kg)
Warranty	3-Years		

Note: Specifications subject to change without notice.

## DIMENSIONS (MM)



VML-15 SERIES

**Standard Accessories:**

- 90-240 VAC Power Brick
- Tabletop Stand
- VGA Cable

**Available Options:**

- Protective/Anti-Reflective Glass Screen
- Steel Enclosure
- Panel Mount
- Touch Screen
- Rack Mount
- Open-Frame Configuration
- Private Label
- Other Customer - Specific Modifications