

## VM-27 Series

### 27 Inch Industrial-Grade Monitor

- 27" Full HD Resolution Color LCD Monitor: 1920 x 1080 (1080p/60)
- Wide Viewing Angle: 178° x 178°
- Video Inputs: VGA, HDMI, and Composite (BNC)
- Dual Voltage: 24VDC and 100-220VAC
- Auto Re-Start After Power Loss
- Can Be Customized to Meet Your Needs
- 3-Year Warranty



## INDUSTRIAL-GRADE 27 INCH MONITOR

The VM-27 Series are 27 inch monitors. These industrial-grade LCD monitors offer brilliant color and superb image quality while providing the reliability and rugged performance required by demanding applications. They offer full HD resolution: 1920 x 1080 (1080p/60). It is a 16:9 aspect ratio display series. The VM-27 Series monitors offer VGA, HDMI, and Composite (BNC) digital and analog video input capabilities. An extensive list of available OEM options enables you to customize the VM-27 Series to your specific needs.

### MAXIMUM RESISTANCE TO SHOCK AND VIBRATION

The VM-27 Series 27" displayport monitor also features *TRU-Vu's* exclusive *TRU-Tuff* treatment, which ensures maximum resistance to shock and vibration. The *TRU-Tuff* process includes RTV silicone on all connections and critical components; all wires are dressed, tie-wrapped and secured; and ThreadLock on all screws. This, plus the rugged powder-coated steel enclosure, ensures the VM-27 Series will provide years of reliable service. Every *TRU-Vu* monitor utilizes industrial-grade components and high-end LCD panels not found in retail/consumer-grade monitors.

### DESIGNED FOR 24/7/365 OPERATION

The VM-27 Series are designed to operate 24/7/365 and are backed by our full 3-Year Warranty. This series of monitors are ideal for industrial, military, food & beverage, machine vision systems, museums, surveillance, and simulator applications. View all of our standard brightness industrial monitors for indoor operation. We also offer our 27" monitors/ touch screens as Medical Grade Display solutions.

### OUR TECHNICAL EXPERTS ARE READY TO HELP YOU FIND THE BEST DISPLAY

With over 540 LCD monitors and touch screens on our site, selecting the ideal monitor solution may be a bit overwhelming. To help narrow-down the choices, check out our [Advanced Search Tool](#). This enables you filter by features important to you. View similar sized monitors 21"+, or filter only 24VDC Monitors. TRU-Vu can provide modified or Custom OEM LCD Displays. Private Label Monitors are also an option if you have very specific requirements.

Remember, our team members are ready to help! We can determine the exact solution that will meet your specific needs. We will help provide crystal-clear images for your projects. Call (847) 259-2344 today to speak with one of our specialists. Above all, we will listen. It's one of the things we do best. Our professional advisors will ensure the 12" Waterproof Touch Panel-Mount monitor you receive will be and do everything you had hoped it would!

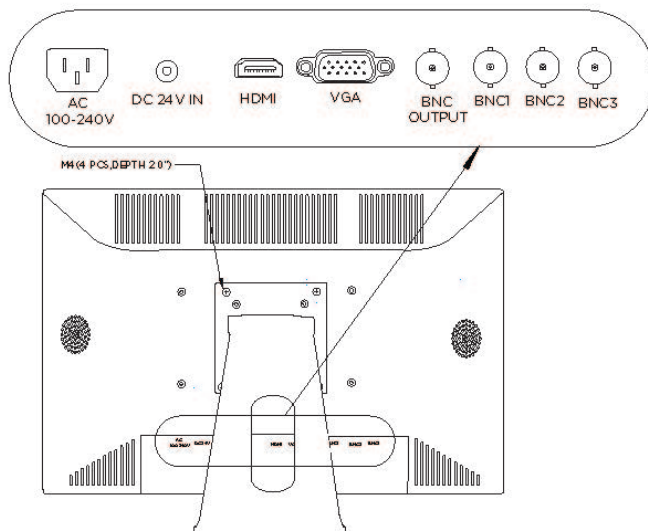
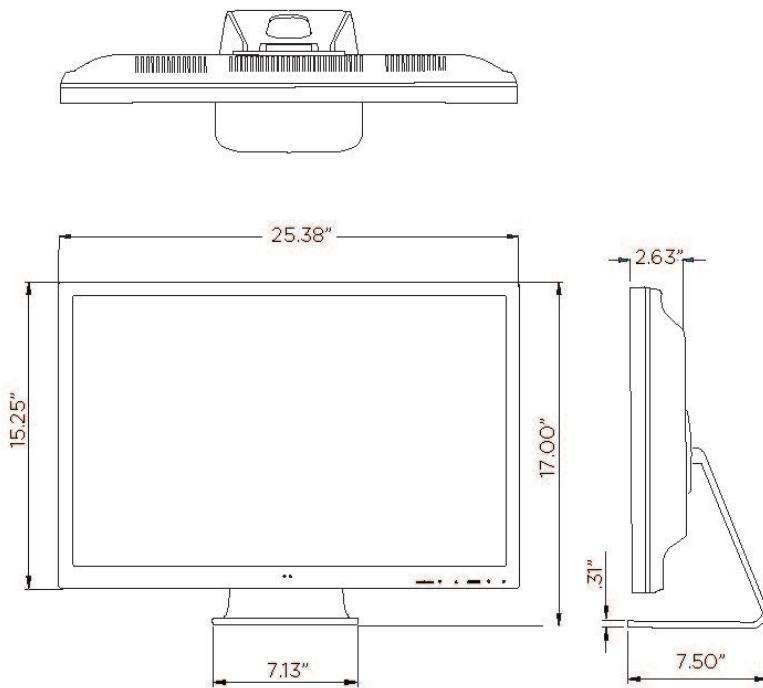
If you prefer, fill out a quick form with your requirements, and we will guide you to the proper models that will work best.

**SPECIFICATIONS**

	<b>VM-27U-NB</b>	<b>VM-27U</b>	<b>VM-27U-M</b>
LCD Panel	27" Color LCD; LED Backlights		
Display Resolution	1920 x 1080 (1080p/60, Full HD)		
Viewable Area	23.53" (W) x 13.23" (H) (597.6 x 336.15 mm)		
Pixel Pitch	0.311 mm		
Display Colors	16.7M		
Aspect Ratio	16:9		
Brightness	300 nits		
Contrast Ratio	3,000:1		
Viewing Angle	178° x 178° (V)		
Response Time	12 msec		
Control	OSD (On-Screen Display) via Front Pushbuttons or IR Remote		
Video Inputs	VGA, HDMI, 3 Composite BNC Inputs, 1 Composite BNC Output		
Audio	Optional		
Power Requirement	Dual Voltage 24 VDC and 100-240 VAC		
Power Consumption	36W (1.5 Amps 24VDC; 0.327 Amps 110VAC)		
Enclosure	ABS	Powder-Coated Steel	
VESA Mount Holes	100 x 100, 100 x 200 and 200 x 200 VESA Hole Pattern		
Tabletop Base	No	Included	
Remote Control	Standard		
Operating Temperature	+14° to +122° F (-10° to +50° C)		
Storage Temperature	-4° to +140° F (-20° to +60° C)		
Humidity	5-90% RH		
Shock	50 G (20 msec, ½ sine)		
Vibration	1.5G RMS 10-200 HZ		
Dimensions	25.38" (W) x 15.25" (H) x 2.63" (D) (644.65 x 387.35 x 66.8 mm)		25" (W) x 15.25" (H) x 1.875" (D) (635 x 387.35 x 47.625mm)
Approvals	UL, FCC, RoHS, CE		
Weight	10.8 lbs. (4.89 Kg)		13.2 lbs. (5.98 Kg) without Base

Note: Specifications subject to change without notice.

**DIMENSIONS (MM)**



VM-27U

**Standard Accessories:**

- 120 VAC Power Cord
- 24 VDC Power Pigtail
- VGA Cable
- Tabletop Base (VM-27U and VM-27U-M Only)
- IR Remote Control

**Available Options:**

- Wall Mount Brackets
- Surface Capacitive Touch Screen (VMTC-27R)
- P-Ca[ Touch Screen (ZBTP-27R-24)
- Open-Frame Configuration
- Private-Label
- Other Customer-Specific Modifications
- Speakers