

## VL-ZBXTTP-55T

### 55" INDUSTRIAL GRADE 4K TOUCHSCREENS

- Projected Capacitive Touch Screen (PCap)
- Brilliant 3840 x 2160 4K Video Resolution
- 10 Point Simultaneous Multitouch
- 800 Nits of Brightness
- Zero-Bezel Edge-to-Edge All Glass Front Design
- Rugged Steel Construction
- VESA 400 x 300 mm Rear Mounting Holes



### 55" INDUSTRIAL TOUCHSCREEN - MULTI TOUCH

The VL-ZBXTTP-55T are Projected Capacitive, multi-touch, bezel less monitors offer the latest in LCD touch screen technology. The projected capacitive touch technology can be activated via an exposed finger (like standard capacitive touch), and also a finger inside a surgical glove or thin cotton glove. The multi-touch capability allows simultaneous dual finger operation for selecting, zoom, flick, and other functions. The sleek all-glass, seamless, zero bezel touchscreen monitor front face is stylish as well as functional. It is easy to clean and eliminates the potential for contamination build-up under the bezel.

### 4K INDUSTRIAL-GRADE TOUCHSCREEN

They have 3840 x 2160 (4K) resolution and a 16:9 aspect ratio with an HDMI video input and boast 800 nits of brightness. We build them with true industrial-grade components for long-term reliability. For example, they are built with rugged steel, not cheap flimsy plastic. This results in a rugged, dependable monitor you can rely on. The operating temperature range is 32° to 122° F (0° to 50°C).

### BEZEL-LESS TOUCHSCREEN IS EASY TO CLEAN

The bezel is the outside frame or edge that surrounds the monitor's front glass or LCD panel. For aesthetics or hygiene, many people prefer a bezel less monitor, or frameless monitor. They go by many names: zero-bezel monitors, true-flat, or bezel-less monitor. These are simply monitors without physical frames around the active screen. Products in this category feature LCD monitors and touch-screens that have a single piece of glass covering the entire front face of the monitor. The glass goes edge-to-edge, in all directions.

There are many benefits to a zero bezel touchscreen monitor. You'll love the sleek, modern appearance as well as the hygiene benefits. Since touch-screens without bezels use a single, solid surface, they are easy to clean. You won't have to worry about contamination or germ build-up. There is no where for germs to hide. These hygiene advantages are why so many modern medical LCD monitors and medical touch screens feature a zero bezel monitor design.

### BUILT FOR DEMANDING APPLICATIONS

TRU-Vu industrial LCD monitors are specifically designed for use in demanding industrial, commercial, and A/V applications. For instance, every TRU-Vu monitor utilizes industrial-grade components and high-end LCD panels not found in retail or consumer-grade monitors. This ensures superior image quality, improved performance and greater durability.

The VL-ZBXTTP-55T 55" inch touchscreen with 16:9 aspect ratio are deployed in many industries and applications. This includes healthcare, kiosks, hospitality, advertising, and other applications.

This same touchscreen monitor model is also available in 32" and 43" screen sizes.

**OUR TECHNICAL EXPERTS ARE READY TO HELP YOU FIND THE RIGHT TOUCH DISPLAY**

With over 200 LCD monitors and touch screens on our site, selecting the ideal equipment, or touch screen solution may be a bit overwhelming. To help narrow down the choices, check out our [Advanced Search Tool](#). For example, this enables you to filter by your own specific search requirements.

Finally, our team members are ready to help! We can determine the exact solution that will meet your specific needs . Certainly, TRU-Vu will help provide clear images for your operating requirements . Call **(847) 259-2344** today to speak with one of our specialists. Above all, we will listen. It's one of the things we do best. Our professional advisors will ensure the monitor or touch screen you receive will be and do everything you had hoped it would!

If you prefer, fill out a quick form with your requirements, and we will guide you to the proper models that will work best.

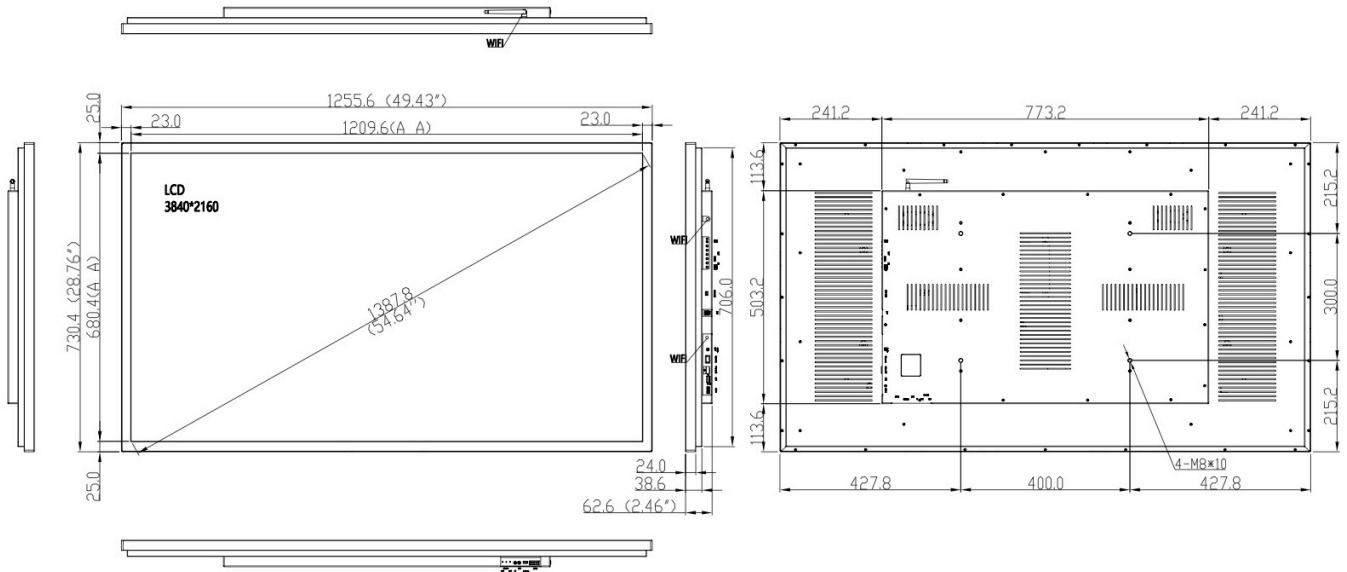
To see technical information, tips, tricks and guides to LCD monitors and technology, visit our [TECH CENTER](#).

**SPECIFICATIONS**

	<b>VL-ZBXT-55T</b>
LCD Panel	55" Color LCD; LED Backlights
Touch Screen Type	Projected Capacitive
Touch Interface	USB (Mini-USB)
Resolution	3840 x 2160 4K
Viewing Area	47.6" (W) x 26.8" (H) (1209.6 W x 680.4 H mm)
Pixel Pitch	0.315x0.315 mm [80PPI]
Display Colors	16.7 M
Aspect Ratio	16:9
Brightness	800 nits
Contrast Ratio	1,200:1
Viewing Angle	178° (H) x 178° (V)
Response Time	8 msec (Trf)
Video Input	HDMI
Power Requirement	24VDC / 100-240VAC via Included AC Adapter
Power Consumption	144W
Enclosure	Zero-Bezel/Painted Steel
Mounting	Rear VESA 400 X 300mm Mounting Holes (M8 x 10mm Thread)
Operating Temperature	32° to 122°F (0° to +50°C)
Dimensions	49.4" W x " 28.8" H x 2.5" D (1255.6 W x 730.4 H x 62.6 D mm)
Weight	97 lbs (44 kg)
Warranty	1-Year

Note: Specifications subject to change without notice.

**DIMENSIONS (MM)**



**Standard Accessories:**

- 100-240 VAC Power Supply
- Mini-USB to USB-A Cable

**Available Options:**

- HDMI Cable (CB-HDMI)
- Private Label