

VL-ZBVM-21.5H

21.5" Industrial-Grade Monitor

- IP65 All-Glass Front Simplifies Cleaning with Steel Enclosure
- Rugged Steel Construction
- VGA & HDMI Video Inputs
- 12VDC / 100-240VAC with included AC adapter (optional 24VDC)
- *TRU-Tuff* Treatment for Maximum Resistance to Shock and Vibration



21.5 ZERO BEZEL MONITOR

The VL-ZBVM-21.5H 21.5" zero bezel monitors offer the latest look in LCD monitor technology. The Zero-Bezel design removes the front frame (or bezel) used on standard monitors and replaces it with a seamless edge-to-edge piece of glass. All *TRU-Vu* industrial LCD monitors are specifically designed for use in demanding applications. Every *TRU-Vu* monitor utilizes industrial-grade components and high-end LCD panels not found in retail/consumer-grade monitors. This ensures superior image quality, improved performance and greater durability.

The display resolution is 1920 x 1080 (1080p/60 Full HD). The operating temperature is 32° to 122° F (0° to 50° C). They are available for 12 VDC/90-260 VAC with included external power brick or options 24VDC.

FRAMELESS MONITORS

The bezel is the outside frame or edge that surrounds the monitor's front glass or LCD panel. For aesthetics or hygiene, many people prefer a bezel less monitor, or frameless monitor. They go by many names: zero-bezel monitors, or bezel-free monitor. These are simply monitors without frames which have a single piece of glass covering the entire front face of the monitor. The glass goes edge-to-edge, in all direction in monitors without bezels. This type of monitor has no bezel or frame around the front edges, as seen with typical LCD monitors. You'll love the sleek, modern appearance as well as the hygiene benefits.

EASY TO CLEAN MONITOR

The enclosure of a monitor is what surrounds the screen and all other components. Enclosures offer different looks, feels, and advantages and disadvantages. Since monitors without bezels use a single, solid surface, they are easy to clean. You won't have to worry about contamination or germ build-up. There is nowhere for germs to hide. These hygiene advantages are why so many modern medical LCD monitors and medical touch screens feature a zero bezel monitor design.

OUR TECHNICAL EXPERTS ARE READY TO HELP YOU FIND THE BEST DISPLAY

With over 200 LCD displays and touch screens on our site, selecting the ideal equipment, or touch screen solution may be a bit overwhelming. To help narrow down the choices, check out our [Advanced Search Tool](#). For example, this enables you to filter by features important to you. Filter by [aspect ratio 16:9](#) or [bezel-less monitors only](#).

Finally, our team members are ready to help! We can determine the exact solution that will meet your specific needs. Certainly, *TRU-Vu* will help provide clear images for your operating requirements. Call (847) 259-2344 today to speak with one of our specialists. Above all, we will listen. It's one of the things we do best. Our professional advisors will ensure the

monitor or touch screen you receive will be and do everything you had hoped it would!

If you prefer, fill out a quick form with your requirements, and we will guide you to the proper models that will work best.

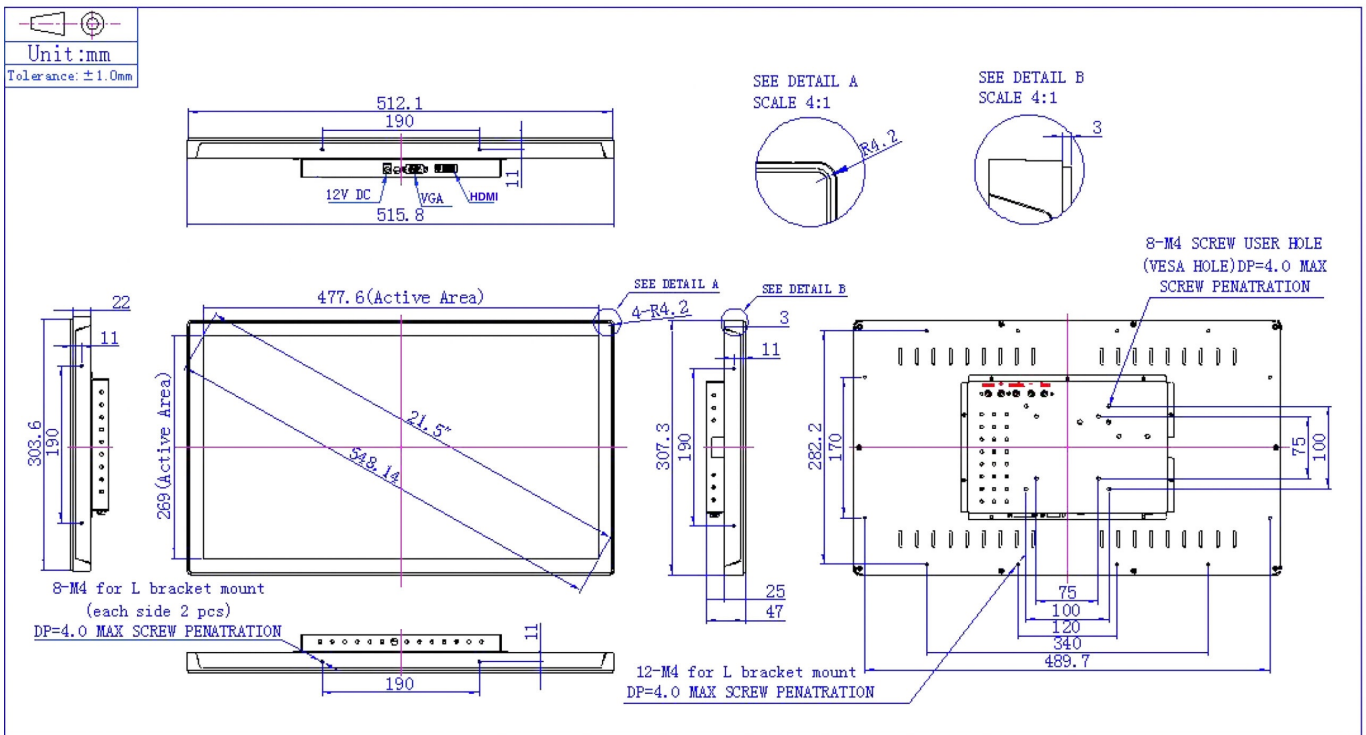
To see technical information, tips, tricks and guides to LCD monitors and technology, visit our [TECH CENTER](#).

SPECIFICATIONS

	VL-ZBVM-21.5H
LCD Panel	21.5" Color LCD; LED Backlights
Resolution	1920 x 1080p Full HD (60hz)
Viewable Area	476.6(H) x 269(V)
Pixel Pitch	0.2331(H) x 0.2331(V)
Display Colors	16.7 Million
Aspect Ratio	16:9
Brightness	250 nits
Surface Treatment	Anti-glare, 3H
Contrast Ratio	1,000:1
Viewing Angle	170° (H) x 160° (V)
Response Time	5 ms
Control	Rear OSD Buttons
Video Inputs	VGA & HDMI
Power Requirement	12VDC & 100-240VAC with included AC adapter (optional 24VDC)
Power Consumption	30 Watts
Enclosure	Painted Steel, IP65 Zero-Bezel Front
Mounting	100 x 100mm & 75 x 75mm Rear VESA Holes (optional L-Brackets available for flush-mounting)
Operating Temp	32° to 122° F (0° to +50° C)
Humidity	80% RH
Shock/Vibration	50 G (11 msec, sine wave)
Dimensions	20.16" W x 12.1" H x 1.85" D (512.1mm W x 307.3mm H x 47mm D)
Warranty	1 Year

Note: Specifications subject to change without notice.

DIMENSIONS (MM)



Standard Accessories:

- 90-240 VAC Power Supply (VL-ZBTP-21.5C only)
- Power Pigtail Cable (VL-ZBTP-21.5C-24 only)
- USB Cable

Available Options:

- Tabletop Base
- Private-Label