

VL-ZBTP-17 Series

17" Touch Screen Monitor

- 17" Industrial-Grade Touch Screens
- Projected Capacitive Touch
- HID Compliant; No Additional Drivers Required
- Edge-to-Edge All-Glass Front Surface
- Rugged Steel Construction
- Resolution: 1280 x 1024 (SXGA)
- Can Be Customized to Meet Your Needs



17" TOUCHSCREEN MONITOR

The VL-ZBTP-17 Series 17" touchscreen monitors utilize a Projected Capacitive touch screen which allows for up-to 10 points of Multi-Touch functionality. The -17C models include VGA & DVI video inputs and operate on 12VDC/100-240VAC via included external AC power supply. The -17H-24 model features VGA & HDMI inputs and operates on 24VDC.

Our image quality is exceptionally clear and bright. The contact activation point is extremely accurate. All models in this series feature a USB touch interface. They offer 1280 x 1024 resolution and a 4:3 aspect ratio. Additionally, the panels have 250 nits brightness.

RUGGED INDUSTRIAL TOUCHSCREEN

This series receives our exclusive TRU-Tuff treatment. Moreover, the TRU-Tuff process includes RTV silicone on all connections and critical components. Additionally, all wires are dressed, tie-wrapped and secured. Lastly, we apply ThreadLock to all screws to ensure they remain secured. Most importantly, this results in a rugged, dependable monitor you can rely on. They can operate on 12 VDC or 90-240 VAC with Included Power Brick.

TOUCH SCREENS FOR DEMANDING APPLICATIONS

The VL-ZBTP-17 Series industrial 17" LCD touch screens offer a variety of video inputs and are available in standard, open frame, rack mount, panel mount, NEMA/IP waterproof, and touch screen configurations. An extensive list of available OEM options enables you to customize a solution to your specific needs. They can also be private-labeled with your company name and/or logo on the front bezel.

TRU-VU TOUCH SCREENS DEPLOYED WORLDWIDE

The VL-ZBTP-17 Series 17" touchscreen monitors with 4:3 aspect ratio are deployed in many industries and applications. This includes manufacturing plants, machine vision inspection systems, and food and beverage plants. They are also found in surveillance systems, specialty vehicles and museums.

We offer numerous other monitors in similar sizes and brightness levels from which to choose.

OUR TECHNICAL EXPERTS ARE READY TO HELP YOU FIND THE BEST 17" INDUSTRIAL DISPLAY

With over 200 LCD monitors and touch screens on our site, selecting the ideal equipment, or touch screen solution may be a bit overwhelming. To help narrow down the choices, check out our [Advanced Search Tool](#). For example, this enables you to

filter by your own specific search requirements. See all monitors that can operate on 24VDC.

Finally, our team members are ready to help! We can determine the exact solution that will meet your specific needs . Certainly, TRU-Vu will help provide clear images for your operating requirements . Call (847) 259-2344 today to speak with one of our specialists. Above all, we will listen. It’s one of the things we do best. Our professional advisors will ensure the monitor or touch screen you receive will be and do everything you had hoped it would!

If you prefer, fill out a quick form with your requirements, and we will guide you to the proper models that will work best.

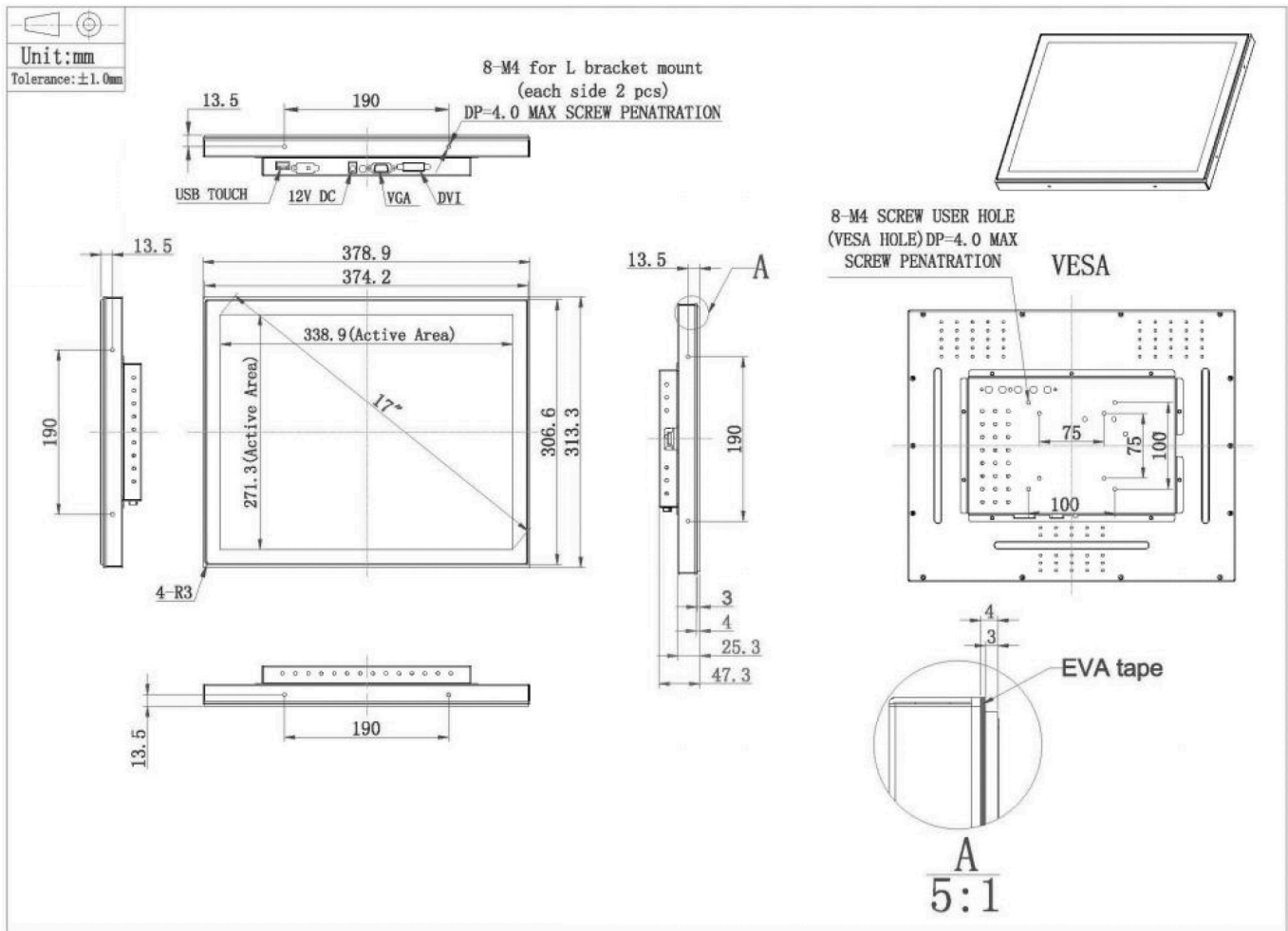
To see technical information, tips, tricks and guides to LCD monitors and technology, visit our **TECH CENTER**.

SPECIFICATIONS

	VL-ZBTP-17C	VL-ZBTP-17H-24
LCD Panel	17" Color LCD; LED Backlights	17" Color LCD; LED Backlights
Touch Screen Type	Projected Capacitive	Projected Capacitive
Touch Interface	USB	USB
Resolution	1280 x 1024 (SXGA)	1280 x 1024 (SXGA)
Viewing Area	13.03" (W) x 10.64" (H) (337.9 W x 270.3 H mm)	13.03" (W) x 10.64" (H) (337.9 W x 270.3 H mm)
Pixel Pitch	0.294mm	0.294mm
Display Colors	16.7 M	16.7 M
Aspect Ratio	4:3 (5:4)	4:3 (5:4)
Brightness	250 nits	250 nits
Contrast Ratio	1,000:1	1,000:1
Viewing Angle	170° (H) x 160° (V)	170° (H) x 160° (V)
Response Time	5 msec (Trf)	5 msec (Trf)
Video Input	VGA & DVI	VGA & HDMI
Power Requirement	12VDC / 100-240VAC via Included AC Adapter	24VDC
Enclosure	Zero-Bezel/Painted Steel	Zero-Bezel/Painted Steel
Mounting	Rear VESA 75x75mm & 100 x 100mm Mounting Holes (optional L-Brackets available for flush-mounting)	Rear VESA 75x75mm & 100 x 100mm Mounting Holes (optional L-Brackets available for flush-mounting)
Operating Temperature	32° to 122°F (0° to +50°C)	32° to 122°F (0° to +50°C)
Dimensions	14.92" W x 12.33" W x 1.86" D (378.9 W x 313.3 H x 47.3 D mm)	14.92" W x 12.33" W x 1.86" D (378.9 W x 313.3 H x 47.3 D mm)
Approvals	CCC, UL, FCC, CE, CB, RoHS	CCC, UL, FCC, CE, CB, RoHS

Note: Specifications subject to change without notice.

DIMENSIONS (MM)



Standard Accessories:

- 90-240 VAC Power Brick
- VGA Cable
- USB Cable

Available Options:

- Optical Bonding
- Private-Label
- Wall-Mount Bracket
- Other Customer - Specific Modifications