

VL-ZBTP-15.6C

15.6" 10 Point P-CAP Touchscreen

- Multi Touch Enhanced Projected Capacitive Touch Screen
- Bezel Less Monitor; All-Glass Front Simplifies Cleaning with Steel Enclosure
- Extreme Operating Temperature Range of -10°C to 70°C
- *TRU-Tuff* Treatment for Maximum Resistance to Shock and Vibration
- VGA & DVI Video Inputs
- 12VDC & 100-240VAC with included AC adapter
- CCC, UL, FCC, CE, CB, & RoHS Approvals



15.6" 10 POINT P-CAP TOUCHSCREEN DISPLAY - FRAMELESS

The VL-ZBTP-15.6C are 15.6" Touchscreen Monitors featuring Projected Capacitive Touch Technology for enhanced multi-touch functions. Our 10 Point P-Cap Touchscreen Display features at least 400 nits brightness and a widescreen 16:9 aspect ratio. We design the VL-ZBTP-15.6C frameless monitor for use in industrial environments with FULL HD resolution. They utilize state-of-the-art LED backlights. The Bezel-less front panel has an all glass front which simplifies cleaning. Additionally, this model features a rugged steel enclosure with 75 and 100mm VESA mount Pattern.

INDUSTRIAL-GRADE TOUCHSCREEN

They have 1920 x 1080 (1080p/60 Full HD) resolution and a 16:9 aspect ratio. We build them with true industrial-grade components for long-term reliability. For example, they receive our exclusive TRU-Tuff treatment. Moreover, the TRU-Tuff process includes RTV silicone on all connections and critical components. Additionally, all wires are dressed, tie-wrapped and secured. Lastly, we apply ThreadLock to all screws to ensure they remain secured. Most importantly, this results in a rugged, dependable monitor you can rely on.

TRU-Vu TOUCH SCREENS DEPLOYED WORLDWIDE

Our 15.6" Touchscreens have been deployed in a wide range of demanding industries. For example, military, law enforcement, industrial manufacturing, aviation and entertainment benefit. They are also found in inspection, kiosks, heavy equipment, and transportation.

We specialize in providing Sunlight Readable monitors and touch-screens for challenging environments. However demanding your application may be, we will provide the very best solution. Our vast client base shows our versatility in providing the very best Sunlight Readable Monitors in the industry. What is a sunlight readable monitor? To learn even more- watch this video. View our entire line of Touch Screen Monitors.

OUR EXPERTS ARE READY TO HELP YOU FIND THE RIGHT 15.6" TOUCH SCREEN

With over 200 LCD monitors and touch screens on our site, selecting frameless monitor or touch screen solution may be a bit overwhelming. To help narrow-down the choices, check out our [Advanced Search Tool](#). For example, this enables you to filter by features important to you. See all monitors and touch screens with no bezel, or view large 21"+ monitors and touch screens. TRU-Vu can provide modified or Custom OEM LCD Displays. Private Label Monitors are also an option if you have very specific requirements.

Finally, our team members are ready to help! We can determine the exact solution that will meet your specific needs. Certainly, TRU-Vu will help provide crystal-clear images for your operating requirements. Call (847) 259-2344 today to

Speak with one of our specialists. Above all, we will listen. It's one of the things we do best. Our professional advisors will ensure the monitor or touch screen you receive will be and do everything you had hoped it would!

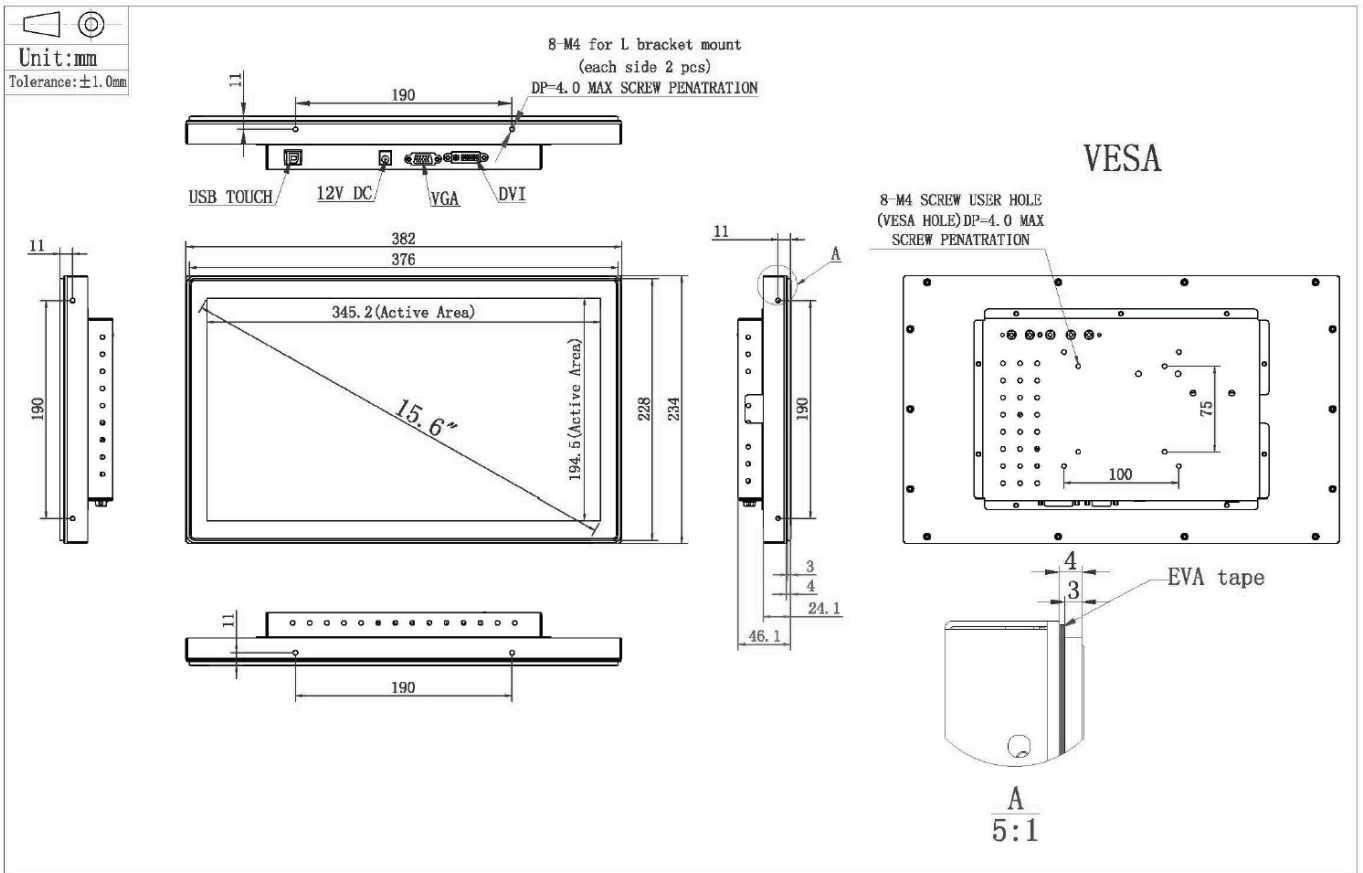
If you prefer, fill out a quick form with your requirements, and we will guide you to the proper models that will work best.

SPECIFICATIONS

	VL-ZBTP-15.6C
LCD Panel	15.6" Color LCD; LED Backlights
Touch Screen Type	Projected Capacitive, 10 Touch Points
Touch Interface	USB
Resolution	1920 x 1080p Full HD (60hz)
Viewable Area	13.56" (W) x 7.62" (H) (344.23 x 193.54 mm)
Pixel Pitch	0.2331(H) x 0.2331(V)
Display Colors	16.7 Million
Aspect Ratio	16:9
Brightness	400 nits
Contrast Ratio	500:1
Viewing Angle	140° (H) x 120° (V)
Response Time	8 ms
Control	Rear OSD Buttons
Video Inputs	VGA & DVI
Power Requirement	12VDC & 100-240VAC with included AC adapter
Power Consumption	15 Watts
Enclosure	Painted Steel, Zero-Bezel Front
Mounting	100 x 100mm & 75 x 75mm Rear VESA Holes (plus perimeter mounting holes for flush-mounting)
Operating Temp	14° to 158° F (-10° to +70° C)
Humidity	80% RH
Shock/Vibration	50 G (11 msec, sine wave)
Dimensions	15.04" W x 9.21" H x 1.82" D (382 W x 234 H x 46.1 D mm)
Weight	6 lbs (2.7 kg)
Approvals	CCC, UL, FCC, CE, CB, RoHS

Note: Specifications subject to change without notice.

DIMENSIONS (MM)



Standard Accessories:

- 100-240 VAC Power Supply
- USB Cable

Available Options:

- Tabletop Base
- Private-Label