

SRMWP-10.1R-24

10.1" Sunlight Readable Waterproof Panel - Mount Monitor

- 1,000 nits Brightness
- Produces Clear, Sharp Images Even in Direct Bright Sunlight
- Stainless Steel Panel-Mount Enclosure; NEMA 4X
- Ambient Light Sensor Adjusts Screen Brightness Automatically
- Protective Anti-Reflective Glass
- Auto Re-Start After Power Loss
- Can Be Customized to Meet Your Needs
- 3-Year Warranty
- TAA Compliant



10.1" OUTDOOR WATERPROOF SUNLIGHT READABLE MONITOR

The SRMWP-10.1R-24 are 10.1" sunlight readable panel mounted monitors. They feature at least 1000 nits screen brightness and a 16:9 aspect ratio. We design this 10.1" outdoor waterproof monitor specifically for use in direct sunlight. Because of the high brightness of the SRMWP-10.1R-24, they are also perfect for other high ambient-light conditions. These weather proof monitors utilize state-of-the-art LED backlights. 1,000 nits brightness is over 3 to 5 times brighter than standard monitors. For example, standard monitors are only 200-300 nits brightness. Therefore, the result is an amazingly bright screen. This will provide you with crystal-clear images, even in direct, bright sunlight on the face of the screen.

RUGGED WEATHER PROOF MONITOR

These 10.1" 1000 nit displays are not only bright, but extremely rugged. For example, we build them with true industrial-grade components. Furthermore, they receive our exclusive TRU-Tuff treatment. The TRU-Tuff process includes RTV silicone on all connections and critical components. Additionally, all wires are dressed, tie-wrapped and secured. Lastly, we apply ThreadLock to all screws. The rugged Stainless Steel panel mount enclosure ensures maximum shock and vibration resistance for this rugged 1000 nit monitor. The enclosure is rated NEMA 4X Waterproof.

WATERPROOF PANEL MOUNT MONITOR

This monitor features a rugged waterproof stainless steel panel mount enclosure. Flush mount this unit into any panel, cabinet, door or wall. It is impervious to liquids, rust and corrosion. It is rated NEMA 4X, and features protective Anti-Reflective glass over the LCD panel. This weather proof monitor will easily withstand the elements outdoors. It is also ideal for wash-down environments. For this reason, it is widely used in industrial and food processing plants. There's also a handy guide on how to install a panel-mount monitor.

HIGH OPERATING TEMPERATURES FOR OUTDOOR DISPLAYS

We design the SRMWP-10.1R-24 to operate in nearly any environmental conditions. This 10.1" outdoor waterproof monitor performs in frigid conditions or blazing heat. These sunlight displays will survive and thrive. To clarify, these monitors will operate in temperatures down to -22°F (-30°C). They will also withstand brutal heat. Moreover, operating temperatures go up to 176°F (80°C). The rugged stainless steel enclosures are waterproof. We design them for panel mount or flush mount applications. The 10.1" high brightness displays will provide years of reliable imaging performance. Specifically,

typical MTBF for these monitors is 50,000 hours.

WEATHER PROOF LCDS DEPLOYED WORLDWIDE

Our 10.1" weatherproof lcd screens have been deployed in a wide range of demanding industries. For example, industries such as military, law enforcement, manufacturing and entertainment will benefit. 10.1" outdoor waterproof monitors are also deployed in the inspection, marine, oil & gas sectors. Industrial and transportation industries also utilize this popular model. TRU-Vu monitors are backed by our full 3-Year Warranty. This ensures you of many years of reliable service for your high bright outdoor display.

OUR TECHNICAL EXPERTS ARE READY TO HELP YOU FIND THE BEST WATERPROOF OUTDOOR DISPLAY

With over 200 LCD monitors and touch screens on our site, selecting the ideal equipment, or touch screen solution may be a bit overwhelming. To help narrow-down the choices, check out our **Advanced Search Tool**. For example, this enables you to filter by features important to your application. See our full line-up of industrial-grade **Sunlight Readable and Daylight Readable**. This highlights all of our high brightness monitors. Additionally, you'll find the sunlight readable touch screens in all the sizes and configurations available. Shop by size: **7-12" monitors**. Our full range of **waterproof monitors and touch screens** are available for any outdoor use. View all **panel mount monitors**, **24VDC Power monitors**, or sort by resolution or aspect ratio. **Custom OEM LCD Displays and Private Label Monitors** are also an option if you have very specific requirements. Visit our wide range of **LCD monitor mounts and stands** to complete your installation.

Finally, our team members are ready to help! We can determine the exact solution that will meet your specific needs. Certainly, TRU-Vu will help provide crystal-clear images for your operating requirements. Call **(847) 259-2344** today to speak with one of our specialists. Above all, we will listen. It's one of the things we do best. Our professional advisors will ensure the monitor or touch screen you receive will be and do everything you had hoped it would!

If you prefer, fill out a quick form with your requirements, and we will guide you to the proper models that will work best.

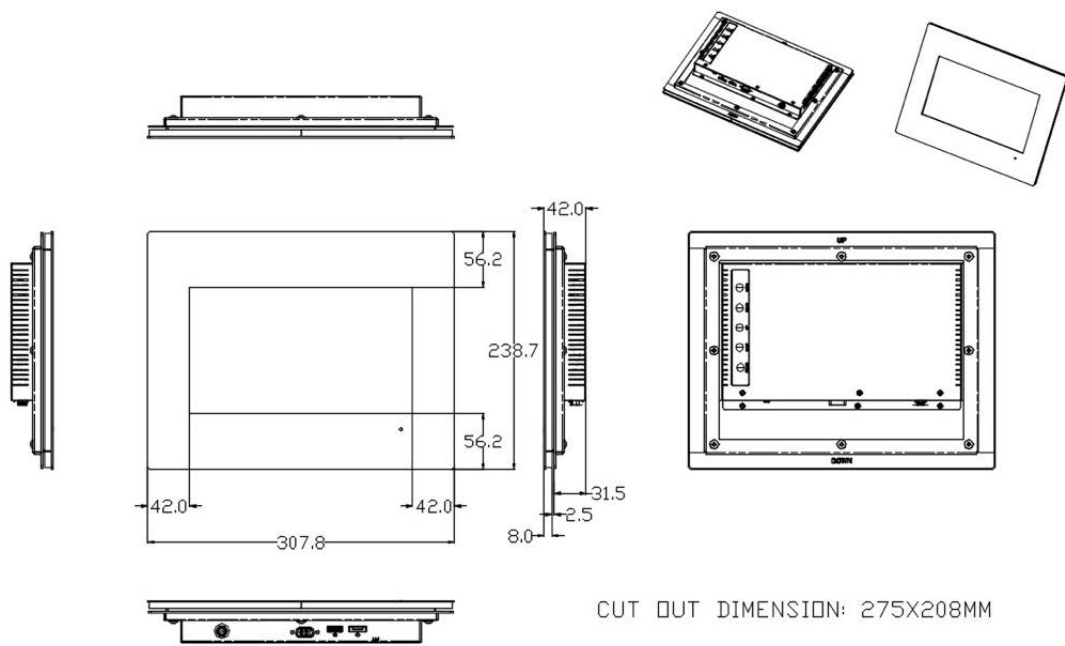
SPECIFICATIONS

	SRMWP-10.1R-24
LCD Panel	10.1" Color LCD; LED Backlights
Display Resolution	1024 x 600
Viewable Area	8.76" (W) x 4.9" (H) (222.72 x 125.28mm)
Pixel Pitch	.2175 x .2088mm
Display Colors	16:7M
Aspect Ratio	16:10
Brightness	1,000 nits
Contrast Ratio	500:1
Viewing Angle	140°(H) x 120°(V)
Response Time	20 ms TrF

	SRMWP-10.1R-24
Control	OSD (On-Screen Display) via Rear Pushbuttons
Video Inputs	VGA, HDMI, DisplayPort
Power Requirement	12-24 VDC (with Locking Power Pigtail)
Power Consumption	13W
Enclosure	Stainless Steel Panel-Mount with Rear Clamp
Enclosure Rating	NEMA 4X; Front: IP65
Operating Temperature	-22° to 176° F (-30° to +80° C)
Humidity	5-90% RH
Shock	50G Half-sine
Vibration	1.5G RMS 10-200Hz
Dimensions	See Drawing on Reverse Side
Weight	6.22 Lbs (2.82 kg)
Warranty	3 Years

Note: Specifications subject to change without notice.

DIMENSIONS (MM)



Standard Accessories:

- Locking (2.5mm) Power Pigtail
- HDMI Cable

Available Options:

- Touch Screen (SRMTRWP-10.1R)

- DVI Input
- 90-240 VAC Power Supply
- Touch Screen
- Private-Label