

SRMHTRWP-19 Series

19" Sunlight Readable Panel-Mount Touch Screen

- 5-Wire Resistive Touch Screen, Sunlight Readable
- Produces Clear, Sharp Images Even in Direct, Bright Sunlight
- Up to 1,500 nits Brightness
- Waterproof Stainless Steel Panel-Mount Enclosure
- Auto Re-Start After Power Loss
- High Temperature Operation: Up to +185°F
- 3-Year Warranty



19" SUNLIGHT READABLE PANEL-MOUNT WATERPROOF TOUCHSCREEN

The SRMHTRWP-19 Series are 19" sunlight readable panel mount touch screens. They feature a 5-wire resistive touch screen in a waterproof panel mount enclosure. 1,200 to 1,500 nits brightness and a 4:3 (5:4) aspect ratio are featured. With an operating temperature of -22° to +185°F, this touch screen suitable for use outdoors and in nearly any type of weather conditions.

SUNLIGHT READABLE TOUCH SCREEN WITH 1200 NITS BRIGHTNESS

The SRMHTRWP-19 Series are 19" sunlight readable panel mounted waterproof touch screen monitors. It features up to 1,500 nits screen brightness and a 4:3 aspect ratio. We design this 19 bright touchscreen for outdoor use. Additionally, the weatherproof touch screen specifically designed for use in direct sunlight. Because of the high 1,500 nits brightness of the SRMHTRWPM-19C-S panel mount monitors, they are perfect for any high ambient-light conditions. These weather proof touch screens utilize state-of-the-art LED backlights. 1,500 nits brightness is over 3 to 5 times brighter than standard brightness monitors. Standard LCD monitors offer only 200-300 nits brightness. Consequently, this will provide you with crystal-clear images, even in direct, bright sunlight on the face of the screen.

RUGGED 19" OUTDOOR WATERPROOF TOUCHSCREEN

These 19" high brightness touch screen displays are not only bright, but extremely rugged. Built with true industrial-grade components, these outdoor panel mount touchscreens receive our exclusive TRU-Tuff treatment. The TRU-Tuff process includes RTV silicone on all connections and critical components. All wires are dressed, tie-wrapped and secured. Lastly, we apply ThreadLock to all screws. The durable stainless steel panel mount enclosure ensures maximum shock and vibration resistance. This weather proof touchscreen will easily withstand the elements outdoors. It is also ideal for wash-down environments and widely used in industrial and food processing plants.



The front face of this weatherproof touchscreen has a rating of **NEMA 4X Waterproof**. It is impervious to liquids, rust and corrosion. The panel mount feature enables you to flush-mount this touch screen into a panel, door, wall, cabinet or enclosure. Panel mount touchscreens offer added protection since only the front of the monitor is exposed. Additionally, [View how to install a panel-mount touchscreen.](#)

5-WIRE RESISTIVE TOUCH SCREEN WITH HIGH OPERATING TEMPERATURES

We design the SRMHTRWP-19 Series to operate in nearly any environmental conditions. This 19" bright touchscreen performs in frigid conditions or blazing heat. These monitors will operate in temperatures down to -22°F (-30°C). Additionally, they will also withstand brutal heat, with operating temperatures up to 185°F (85°C). The 19" high brightness displays will provide years of reliable imaging performance. Specifically, typical MTBF for these monitors is 50,000 hours.

A resistive touch screen monitor is composed of a glass panel and a film screen, each covered with a thin metallic layer, separated by a narrow gap. When a user touches the screen, the two metallic layers make contact, resulting in electrical flow. The point of contact is detected by this change in voltage, and registers the X & Y coordinates from a touch. It is one of the 5 most popular types of touch screens available.

WHERE ARE PANEL MOUNT TOUCHSCREENS USED?

TRU-Vu 19" weatherproof outdoor touch screens have been deployed in a wide range of demanding installations. For example, industries such as military, law enforcement, manufacturing and entertainment will benefit. 19" bright touchscreens are also deployed in the inspection, marine, oil & gas sectors. Industrial and transportation industries also utilize this popular model. Most importantly, TRU-Vu monitors are backed by our full 3-Year Warranty. This ensures you of many years of reliable service for your high bright outdoor display.

OUR TECHNICAL EXPERS ARE READY TO HELP YOU FIND THE BEST OUTDOOR TOUCH SCREEN

TRU-Vu has over 200 LCD monitors and touch screens on our site. Selecting the ideal equipment or touch screen solution may be a bit overwhelming. To help narrow-down the choices, check out our [Advanced Search Tool](#). For example, this enables you filter by your own specific search requirements. See our full line-up of industrial-grade [Sunlight Readable](#) and [Daylight Readable](#). This highlights all of our high brightness monitors. Additionally, you'll find the sunlight readable touch screens in all the sizes and configurations available. Browse [waterproof monitors and touch screens](#), see similar sized monitors, or view all touchscreens. TRU-Vu can provide modified or Custom OEM LCD Displays. Private Label Monitors are also an option if you have very specific requirements. We have a full line of Panel Mount Monitors and Touch Screens from which to choose.

Certainly, our team members are ready to help! We can determine the exact solution that will meet your specific needs . TRU-Vu will help provide crystal-clear images for your operating requirements . Call (847) 259-2344 today to speak with one of our specialists. Above all, we will listen. It’s one of the things we do best. In conclusion, our professional advisors will ensure the monitor or touch screen you receive will be and do everything you had hoped it would!

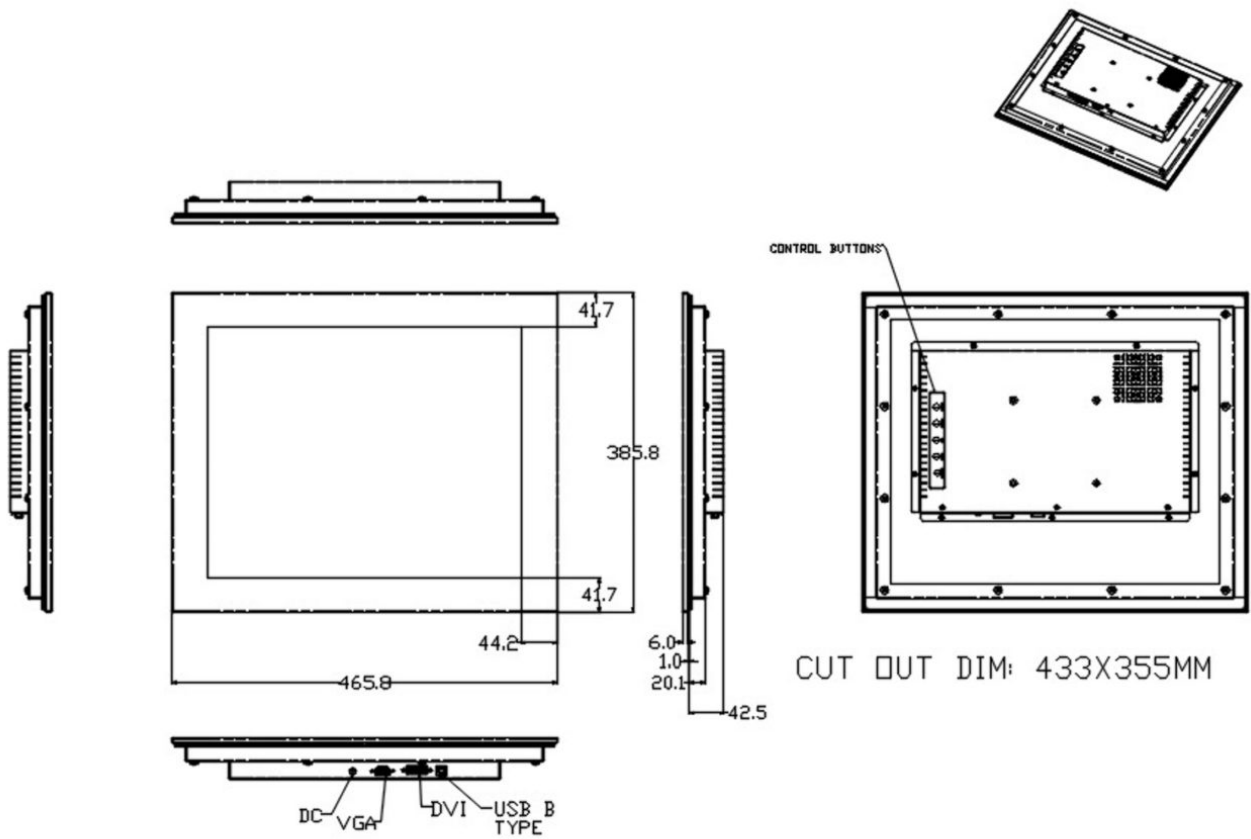
If you prefer, fill out a quick form with your requirements. We will guide you to the proper models that will work best.

SPECIFICATIONS

	SRMHTRWP-19C-S	SRMHTRWPM-19C-S
LCD Panel	19" Color LCD; LED Backlights	
Touch Screen Type	5-Wire Resistive	
Touch Interface	USB	
Resolution	1280 x 1024 (SXGA)	
Viewing Area	14.81" (W) x 11.85" (H) (376.17 mm x 300.98 mm)	
Pixel Pitch	0.294mm	
Display Colors	16.7 M	
Aspect Ratio	4:3 (5:4)	
Brightness	1,200 nits	1,500 nits
Contrast Ratio	1,000:1	
Viewing Angle	170° (H) x 160° (V)	
Response Time	5 msec (Trf)	
Video Input	VGA & DVI	
Power Requirement	12 VDC (2.1mm Connector) / 90-240 VAC with Included Power Brick	9-36VDC (2.5 mm Locking Pigtail)
Power Consumption	48 Watts	TBD
Enclosure	Stainless Steel	
Enclosure Rating	NEMA 4X; Front: IP65	
Mounting	Panel-Mount	
Operating Temperature	-22° to +185°F (-30° to +85°C)	
Warranty	3 Years	
Dimensions	18.33" (W) x 15.18" (H) x 1.67" (D) (465.8 x 385.8 x 42.5 mm)	

Note: Specifications subject to change without notice.

DIMENSIONS (MM)



Standard Accessories:

- 90-240 VAC Power Adapter (SRMTRWP-19C-S)
- 2.5 Locking Pigtail (SRMTRWPM-19C-S)
- VGA Cable
- DVI Cable
- USB Cable

Available Options:

- Powder-Coated Steel with Non-Waterproof front Face
- Private Label
- Direct 90-240 VAC Power