

## MMZBTP-27G-XAG

### 27" Medical Touch Screen Monitor

- 27" Medical Touch Screen Monitor
- Projected Capacitive Touch Screen (P-Cap)
- Meets UL 60601-1 Ver. 3.1; IEC 60601-1-2 4th Edition
- 1920 x 1080 Full HD Resolution
- White ABS Enclosure; Bezel-Less Front Simplifies Cleaning
- Built-In Speakers
- Auto Re-Start After Power Loss
- Anti Glare Glass
- Optional Rear Input Compartment Cover for Built-in Cable Management
- 3-Year Warranty
- TAA Compliant



## IDEAL FOR SURGICAL SUITES

The TRU-Vu MMZBTP-27G-XAG are 27" medical touch screen monitors. They conform to UL 60601-1 Edition 3.1, and IEC 60601-1-2 4th Edition. Our 27" medical touch screen display is ideal for hospital operating rooms, medical carts, medical imaging systems, fluoroscopy, endoscopy, OEM medical systems, PACS and other medical applications.

## 27" MEDICAL TOUCH SCREEN WITH OPTIMAL IMAGE QUALITY

Our widescreen 27" medical touch screen monitors provide 1080p, 1920 x 1080 Full HD resolution. The super-wide 178 x 178 viewing angles ensures clear, sharp images when viewed from nearly any angle. Our 27" medical-grade touch screen features high resolution, brightness and high contrast ratio. This ensures razor-sharp, flicker free images. It enables doctors and surgeons to make accurate, and timely, critical decisions. Fast response time and lag-free transmission of images ensure the most detailed images in the OR today. This is a 16:9 aspect ratio medical grade touch screen.

## MEDICAL GRADE P-CAP TOUCH SCREEN

The projected capacitive touch technology enables multi-touch, with up to 10 simultaneous touch points for your medical imaging system. The P-Cap touch screen can be activated via exposed fingers, or with a surgical glove. The screen is unaffected by dirt, grease or moisture on the glass surface.

## MEDICAL BEZEL LESS MONITOR, FULLY FLAT DESIGN

Our zero-bezel ABS enclosure features a single pane of glass across the entire front face of this 27" medical-grade touch screen. Due to the absence of any raised-edge bezel (frame) around the front edges, this touch screen is extremely easy to clean (see [Cleaning Instructions Guide](#)) and improves overall hygiene. The bezel-less monitor enclosure eliminates the build-up of germs and contamination. There is no bezel for germs to reside beneath, as with standard enclosures. The rounded corners of the housing add a measure of comfort and safety, as well as improved aesthetics.

This lightweight surgical display features rear VESA mount holes. This enables easy mounting via spring arms, surgical booms or tabletop stands. Visit our wide range of [LCD monitor mounts and stands](#) to complete your installation. Rear speakers are standard and can provide useful tones or alarms.

**FANLESS MEDICAL GRADE MONITORS**

All our Medical displays are built without internal fans. A fan-less design provides numerous important benefits. Reliability and durability are greatly increased, since one major moving part, the fan, which is subject to mechanical failure, is eliminated. A fan-less design also provides a higher level of safety in sterile environments, as it eliminates the circulation of pathogens and dust. Lastly, a fan-less monitor is also quieter.

**OUR TECHNICAL EXPERTS ARE READY TO HELP YOU FIND THE BEST MEDICAL TOUCH SCREEN**

With over 200 LCD monitors and touch screens on our site, selecting the ideal medical monitor solution may be a bit overwhelming. To help narrow-down the choices, check out our **Advanced Search Tool**. For example, this enables you to filter by your own useful features. View all **Medical-Grade** displays only. Shop by size **21.5" to 65" monitors**, see our full line of **Touch Screen Monitors**, filter by standard brightness, or see all **bezel less monitors**. **Custom OEM LCD Displays** and **Private Label Monitors** are also an option if you have very specific requirements.

Remember, our team members are ready to help! We can determine the exact solution that will meet your specific needs. TRU-Vu medical displays will help provide crystal-clear images for your medical projects. Call **(847) 259-2344** today to speak with one of our medical monitor specialists. Above all, we will listen. It's one of the things we do best. Our professional advisors will ensure the monitor or touch screen you receive will be everything you had hoped it would for your medical imaging system.

If you prefer, fill out a quick form with your requirements, and our specialists will guide you to the proper models that will work best.

All **TRU-Vu Medical Displays** utilize industrial-grade components and high-end LCD panels. These are not found in retail or consumer-grade monitors. Therefore, this ensures superior image quality, improved performance and greater durability.

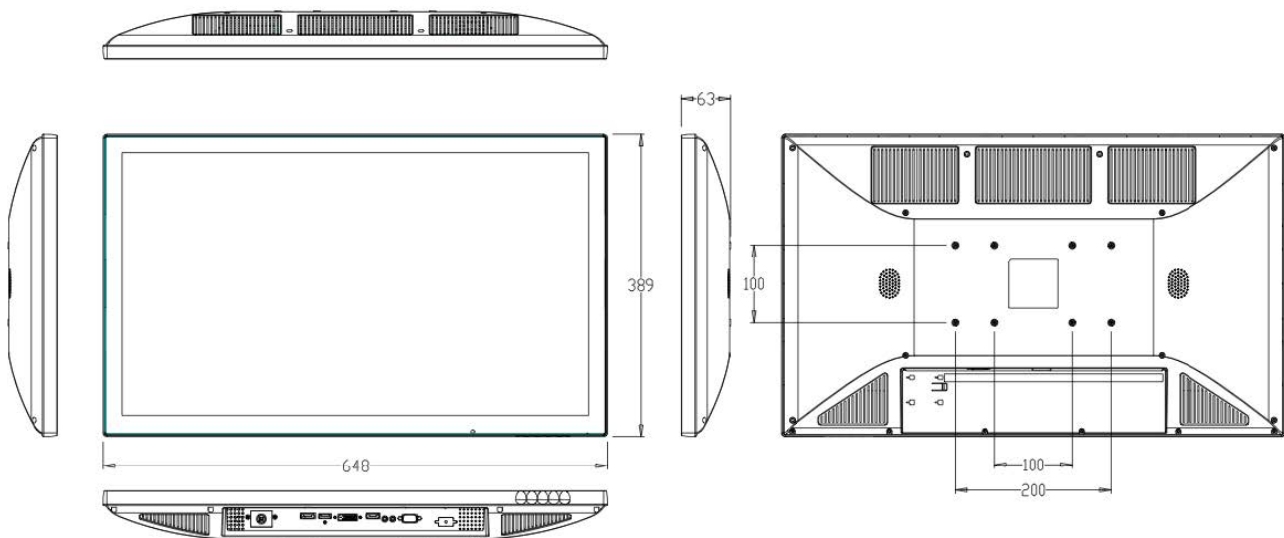
**SPECIFICATIONS**

<b>MMZBTP-27G-XAG</b>	
LCD Panel	27" Color AMVA; LED Backlights
Touch Screen Type	Projected Capacitive, 10 Simultaneous Touch Points
Touch Interface	USB
Resolution	1920 x 1080 (1080p/60)
Viewable Area	23.53" W x 13.23" H (597.6 x 336.15 mm)
Protective Glass	Anti-Glare Glass
Pixel Pitch	0.311 mm
Display Colors	16.7M
Aspect Ratio	16:9
Brightness	300 nits
Contrast Ratio	3,000:1
Viewing Angle	178° (H) x 178° (W)
Response Time	12 msec Trf
Control	OSD (On-Screen Display) via Capacitive Buttons Under Front Edge
Video Inputs	DVI-D, HDMI, DisplayPort
Audio	Dual Rear Speakers
Power Requirement	100-240 VAC via included Medical-Grade External Power Supply with Locking Connector; Includes Green Dot Power Cord
Power Consumption	28W
Enclosure	Zero-Bezel Front; White ABS Rear
Enclosure IP Rating	Front: IP65 Rear: IP30

<b>MMZBTP-27G-XAG</b>	
Mounting	100mm x 100mm / 100mm x 200mm Rear VESA Holes; Optional Tabletop Base
Operating Temperature	32° to 122°F (0 to 50°C)
Humidity	5-90% RH
Shock / Vibration	50G Half-sine 20 msec ; 1.5G 10-200 Hz
Certifications	UL: ANSI/AAMI ES60601-1 (2005/(R)2012 + A1:2012, C1:2009/(R)2012 + A2:2010/(R)2012) CAN/CSAC22.2 No. 60601-1:14 CB : IEC 60601-1-6:2010/AMD1:2013, IEC 60601-1-6:2010, IEC 60601-1:2005/AMD1:2012, IEC 60601-1:2005
Dimensions	25.51" (W) x 15.23" (H) x 2.48" (D) (648 x 389 x 63mm)
Weight	14.7 lbs. (6.66 kg)
Warranty	3 Years

Note: Specifications subject to change without notice.

**DIMENSIONS (MM)**



**Standard Accessories:**

- External Medical-Grade Power Supply with Green Dot Power Cord
- DVI Cable
- HDMI Cable
- Audio Cable
- USB Cable
- DisplayPort Cable

**Available Options:**

- Tabletop Base
- Optional Rear Input Compartment Cover (ACC-MMZB-27-COV)

- Black Enclosure
- Internal AC Power (MMZBTP-27G)
- DICOM Part 14 GSDF Calibration
- Wall Mount Brackets
- Private-Label
- Other Customer-Specific Modifications