

## MMZBTP-21.5G-X

### 21.5" Medical Touch Screen Monitor

- 21.5" Medical Touch Screen Monitor
- Projected Capacitive Touch Screen (P-Cap)
- White ABS Enclosure; Bezel-Less Front Simplifies Cleaning
- Meets [UL 60601-1 Ver. 3.1](#); IEC 60601-1 4th Edition
- Built-In Speakers
- Auto Re-Start After Power Loss
- 3-Year Warranty



The TRU-Vu MMZBTP-21.5G-X is a 21.5" medical touch screen monitor. It conforms to [UL 60601-1](#) Edition 3.1, and IEC 60601-1-2 4th Edition. Our 21.5" medical-grade touch screen is ideal for hospital operating rooms, [medical carts](#), medical imaging systems, fluoroscopy, endoscopy, OEM medical systems, PACS and other medical applications.

### OPTICAL IMAGE QUALITY

Our widescreen 21.5" medical touch screen monitor provides 1080p, 1920 x 1080 Full HD resolution. The super-wide 178 x 178 viewing angles ensure clear, sharp images when viewed from nearly any angle. Thanks to its high resolution, brightness and high contrast ratio, our 21.5" medical-grade touch screen provides razor-sharp, flicker free images. This enables doctors and surgeons to make accurate, and timely, critical decisions. Fast response time and lag-free transmission of images ensure the most detailed images in the OR today.

### MEDICAL-GRADE P-CAP TOUCH SCREEN

The projected capacitive touch technology enables multi-touch, with up to 10 simultaneous touch points. The P-Cap touch screen can be activated via exposed fingers, or with a surgical glove. The screen is unaffected by dirt, grease or moisture on the glass surface.

### BEZEL-LESS MONITOR, FULLY FLAT DESIGN

Our zero-bezel ABS enclosure features a single pane of glass across the entire front face of its 21.5" medical-grade touch screen. Due to the absence of any raised-edge bezel (frame) around the front edges, this touch screen is extremely easy to clean (see [Cleaning Instructions Guide](#)) and improves overall hygiene. The bezel-less monitor enclosure eliminates the build-up of germs and contamination, as there is no bezel for them to reside beneath, as with standard enclosures. The rounded corners of the housing add a measure of comfort and safety, as well as improved aesthetics.

This lightweight surgical display features rear VESA mount holes which enables easy mounting via spring arms, surgical booms or tabletop stands. Rear speakers are standard and can provide useful tones or alarms.

### OUR TECHNICAL EXPERTS ARE READY TO HELP YOU FIND THE RIGHT MEDICAL DISPLAY

With over 540 LCD monitors and touch screens on our site, selecting the ideal monitor solution may be a bit overwhelming. To help narrow-down the choices, check out our [Advanced Search Tool](#). For example, this enables you to filter by your own specific requirements.

Remember, our team members are ready to help! We can determine the exact solution that will meet your specific needs. TRU-Vu medical displays will help provide crystal-clear images for your medical projects. Call [\(847\) 259-2344](#) today to speak with one of our medical monitor specialists. Above all, we will listen. It's one of the things we do best. Our professional advisors will ensure the monitor or touch screen you receive will be everything you had hoped it would for your medical imaging system.

If you prefer, fill out a [quick form](#) with your requirements, and our specialists will guide you to the proper models that will work best.

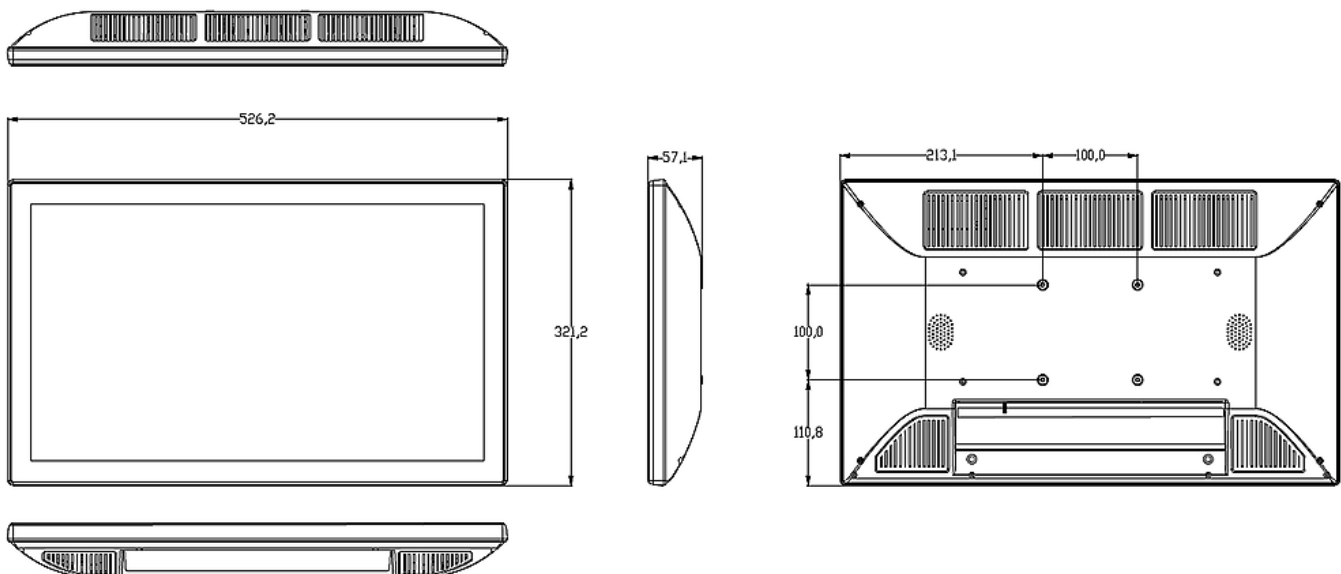
All TRU-Vu [Medical Grade monitors](#) utilizes industrial-grade components and high-end LCD panels not found in retail/consumer-grade monitors. Therefore, this ensures superior image quality, improved performance and greater durability.

### SPECIFICATIONS

| <b>MMZBTP-21.5G-X</b> |  |
|-----------------------|--|
| LCD Panel             | 21.5" Color AHVA; LED Backlights   |
| Touch Screen Type     | Projected Capacitive, 10 Simultaneous Touch Points, Anti Glare Glass   |
| Touch Interface       | USB  |
| Resolution            | 1920 x 1080 (FullHD)   |
| Viewable Area         | 18.76" W x 10.55" H (476.6 x 268.1 mm)   |
| Pixel Pitch           | 0.248mm  |
| Display Colors        | 16.7M  |
| Aspect Ratio          | 16:9   |
| Brightness            | 350 nits   |
| Contrast Ratio        | 1,000:1  |
| Viewing Angle         | 178° (H) x 178° (V)  |
| Response Time         | 22 msec Trf  |
| Control               | OSD (On-Screen Display) via Capacitive Buttons Under Front Edge  |
| Video Inputs          | DVI-D, HDMI, DisplayPort   |
| Audio                 | Dual Rear Speakers   |
| Power Requirement     | 100-240 VAC via Medical-Grade External Power Supply and Green Dot Power Cord   |
| Power Consumption     | 16.8W  |
| Enclosure             | White ABS; Zero-Bezel Design; IP52 Front; IP30 Rear  |
| Mounting              | 100mm x 100mm Rear VESA Holes; Optional Tabletop Base  |
| Operating Temperature | 32° to 122° F (0° x 50° C)   |
| Humidity              | 5-90% RH   |
| Shock / Vibration     | 50G Half-sine 20 msec ; 1.5G 10-200 Hz   |
| Certifications        | UL: ANSI/AAMI ES60601-1 (2005/(R)2012 + A1:2012, C1:2009/(R)2012 + A2:2010/(R)2012) Amendment 1; CAN/CSAC22.2 No. 60601-1:14 - Edition 3; CB: IEC 60601-1-6:2010/AMD1:2013, IEC 60601-1-6:2010, IEC 60601-1:2005/ AMD1:2012, IEC 60601-1:2005; FCC Part 18, Subpart C; CE: EN60601-1-2:2015; RoHS; REACH |
| Dimensions            | 20.72" (W) x 12.65" (H) x 2.25" (D) (526.2 x 321.2 x 57.1 mm)  |
| Weight                | 10.2 lbs (4.62 kg)   |
| Warranty              | 3 Years  |

Note: Specifications subject to change without notice.

**DIMENSIONS (MM)**



**Standard Accessories:**

- External Medical-Grade Power Supply with Hospital-Grade Green Dot Power Cord
- DVI Cable
- Audio Cable
- USB Cable

**Available Options:**

- Tabletop Base
- Black Enclosure
- Wall Mount Brackets
- DICOM Part 14 GSDF Calibration
- Private Label
- Other Customer-Specific Modifications