

MMZBTP-15.6G Series

15.6" Medical Touch Screen Monitor

- 15.6" Medical Touch Screen Monitor
- Projected Capacitive Touch Screen (P-Cap)
- White ABS Enclosure; Bezel-Less Front Simplifies Cleaning
- Meets [UL 60601-1 Ver. 3.1](#); IEC 60601-1 4th Edition
- Built-In Speakers
- Auto Re-Start After Power Loss
- 3-Year Warranty



The TRU-Vu MMZBTP-15.6G Series is a 15.6" medical touch screen monitor. It conforms to [UL 60601-1](#) Edition 3.1, and IEC 60601-1-2 4th Edition. Our 15.6" medical touch screen display is ideal for hospital operating rooms, [medical carts](#), medical imaging systems, fluoroscopy, endoscopy, OEM medical systems, PACS and other medical applications.

Optimal Image Quality

Our widescreen 15.6" medical touch screen monitor provides 1080p, 1920 x 1080 Full HD resolution. The super-wide 178 x 178 viewing angles ensures clear, sharp images when viewed from nearly any angle. Thanks to its high resolution, brightness and high contrast ratio, our 15.6" medical-grade touch screen provides razor-sharp, flicker free images. This enables doctors and surgeons to make accurate, and timely, critical decisions. Fast response time and lag-free transmission of images ensure the most detailed images in the OR today.

Medical-Grade P-Cap Touch Screen

The projected capacitive touch technology enables multi-touch, with up to 10 simultaneous touch points. The P-Cap touch screen can be activated via exposed fingers, or with a surgical glove. The screen is unaffected by dirt, grease or moisture on the glass surface.

Bezel-Less Monitor, Fully flat Design

Our zero-bezel ABS enclosure features a single pane of glass across the entire front face of its 15.6" medical-grade touch screen. Due to the absence of any raised-edge bezel (frame) around the front edges, this touch screen is extremely easy to clean (see [Cleaning Instructions Guide](#)) and improves overall hygiene. The bezel-less monitor enclosure eliminates the build-up of germs and contamination, as there is no bezel for them to reside beneath, as with standard enclosures. The rounded corners of the housing add a measure of comfort and safety, as well as improved aesthetics.

This lightweight surgical display features rear VESA mount holes which enables easy mounting via spring arms, surgical booms or tabletop stands. Rear speakers are standard and can provide useful tones or alarms.

OUR TECHNICAL EXPERTS ARE READY TO HELP YOU FIND THE RIGHT MEDICAL DISPLAY

With over 540 LCD monitors and touch screens on our site, selecting the ideal monitor solution may be a bit overwhelming. To help narrow-down the choices, check out our [Advanced Search Tool](#). For example, this enables you to filter by your own specific requirements.

Remember, our team members are ready to help! We can determine the exact solution that will meet your specific needs. TRU-Vu medical displays will help provide crystal-clear images for your medical projects. Call [\(847\) 259-2344](#) today to speak with one of our medical monitor specialists. Above all, we will listen. It's one of the things we do best. Our professional advisors will ensure the monitor or touch screen you receive will be everything you had hoped it would for your medical imaging system.

If you prefer, fill out a [quick form](#) with your requirements, and our specialists will guide you to the proper models that will work best.

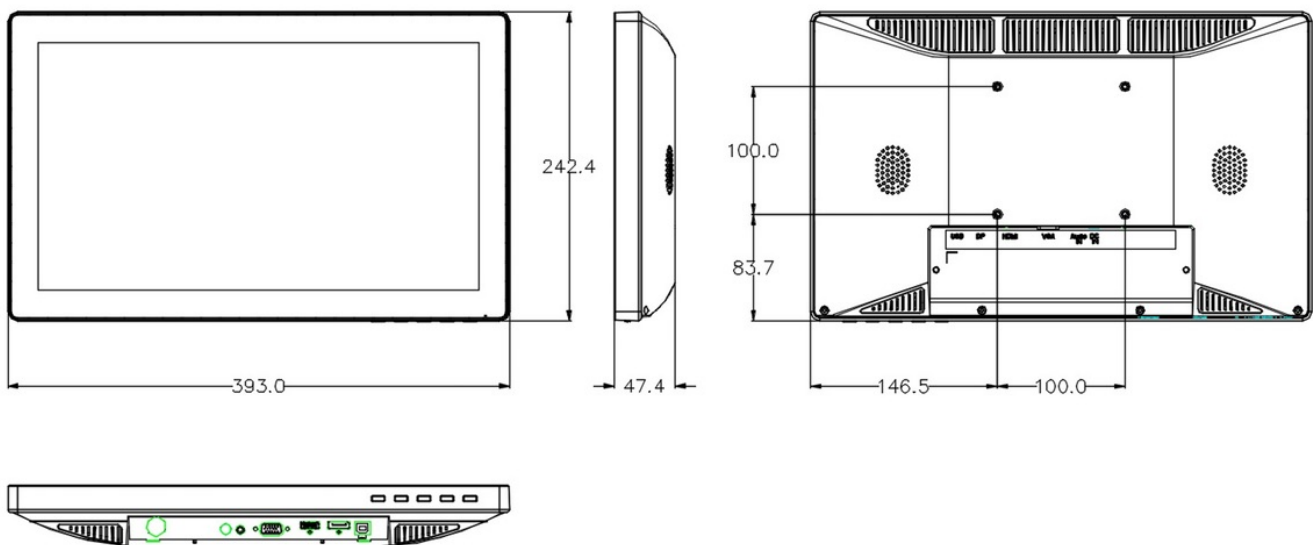
All TRU-Vu [Medical Grade monitors](#) utilizes industrial-grade components and high-end LCD panels not found in retail/consumer-grade monitors. Therefore, this ensures superior image quality, improved performance and greater durability.

SPECIFICATIONS

	MMZBTP-15.6G-X	MMZBTP-15.6G-XG
LCD Panel	15.6" Color AHVA; LED Backlights	
Touch Screen Type	Projected Capacitive, 10 Simultaneous Touch Points	Projected Capacitive, 10 Simultaneous Touch Points, Anti Glare Glass
Touch Interface	USB	
Resolution	1920 x 1080 (1080p/60)	
Viewable Area	13.55" W X 7.62" H (344.16 x 193.59 mm)	
Pixel Pitch	0.17925 mm	
Display Colors	16.2M	
Aspect Ratio	16:9	
Brightness	500 nits	
Contrast Ratio	1,000:1	
Viewing Angle	178° (H) x 178° (V)	
Response Time	25 msec Trf	
Control	OSD (On-Screen Display) via Pushbuttons Under Front Edge	
Video Inputs	DVI-D, HDMI, DisplayPort	
Audio	Dual Rear Speakers	
Power Requirement	100-240 VAC via Medical-Grade External Power Supply and Green Dot Power Cord	
Power Consumption	13.8W	
Enclosure	White ABS; Zero-Bezel Design; IP52 Front; IP30 Rear	
Mounting	100mm x 100mm Rear VESA Holes; Optional Tabletop Base	
Operating Temperature	14° to 140°F (-10 to 60°C)	
Humidity	5-90% RH	
Shock / Vibration	50G Half-sine 20 msec ; 1.5G 10-200 Hz	
Certifications	"UL: ANSI/AAMI ES60601-1 (2005/(R)2012 + A1:2012, C1:2009/(R)2012 + A2:2010/(R)2012) Amendment 1; CAN/CSAC22.2 No. 60601-1:14 - Edition 3; CB: IEC 60601-1-6:2010/AMD1:2013, IEC 60601-1-6:2010, IEC 60601-1:2005/ AMD1:2012, IEC 60601-1:2005; FCC Part 18, Subpart C; CE: EN60601-1-2:2015; RoHS; REACH"	
Dimensions	15.47" (W) x 9.54" (H) x 1.86" (D) 393 x 242.4 x 47.4 mm	
Weight	5.6lbs (2.54kg)	
Warranty	3 Years	

Note: Specifications subject to change without notice.

DIMENSIONS (MM)



Standard Accessories:

- External Medical-Grade Power Supply with Hospital-Grade Green Dot Power Cord
- HDMI Cable
- Audio Cable
- USB Cable

Available Options:

- Tabletop Base
- Black Enclosure
- Wall Mount Brackets
- DICOM Part 14 GSDF Calibration
- Private Label
- Other Customer-Specific Modifications