

MBX-670

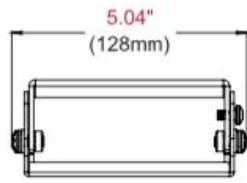
Outdoor Tilting Wall Mount for VESA 100 Monitors

- Made of Corrosion Resistant materials for weather resistance
- Adjustable 15° forward tilt and 5° backward tilt for finding the optimal viewing angle
- Display is positioned only 2.06" (52mm) from wall for a low-profile application
- Includes all necessary wall and display attachment hardware
- VESA® 100mm display mounting hole patterns
- Load Capacity 80 Lbs

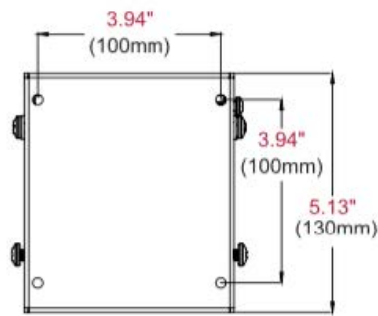


Our Tilting Wall Mount Bracket is a great choice for attaching your monitor outdoors. First of all, it features a forward and backward tilt, in contrast to fixed brackets. Consequently, this provides better viewing angles. Visit [this link](#) to learn more about VESA standards for further clarification. It also fits VESA® 100mm display mounting hole patterns. Most importantly, TRU-Vu recommends this for our monitors and touchscreens. We highly recommend Corrosion Resistant tilt brackets for Outdoor use. Maximum load capacity is 80 lbs. Includes all necessary wall and display attachment hardware. We recommend this bracket for video displays with 100×100 VESA hole patterns.

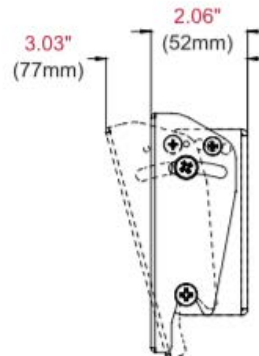
DIMENSIONS (MM)



TOP VIEW



FRONT VIEW



SIDE VIEW
+15°/-5° TILT