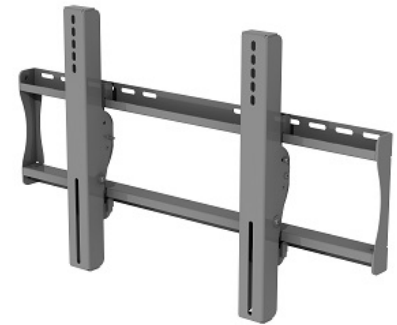


MBX-6500WR Series

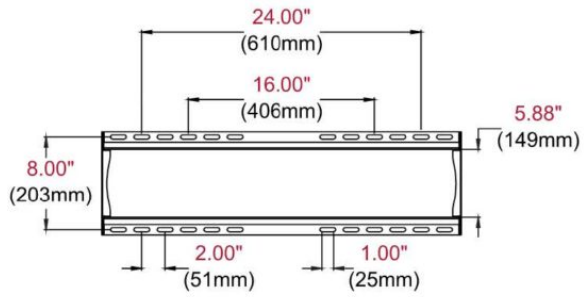
Waterproof Outdoor TV Mount, Wind Rated for Large Displays

- Waterproof Outdoor TV Mount Bracket, Wind Rated
- Made of Corrosion Resistant materials for weather resistance
- Universal Mounts Fit Displays with VESA Mount Holes
- Patterns Up To 28.75"W x 17.67"H (730 x 449mm) and Up To 600 x 400mm, VESA compliant
- Wind Rated up to 110mph, Elevation 200ft (60m), Category "D"
- Fixed Incremental Tilt with Angle Settings at 0°, 2°, 5°, 10° or 15°
- Hook-And-Hang Design for Simplified Installation
- Up to 8" of Horizontal Positioning
- Available Colors Black (MB-6500WR) and Stone Gray (MB-6500WR-S)
- Maximum Load Capacity: 200lbs (90.7kg)

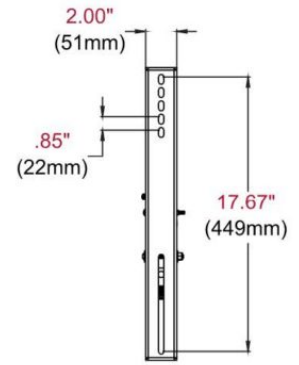


Our Waterproof Outdoor TV Mount Bracket is a great choice for outdoor viewing where wind may be a factor. It has a wind rating up to 110mph, Elevation 200ft (60m), Category "D". It features Hook-And-Hang Design for Simplified Installation therefore reducing the frustration out of installation. Visit this link to learn more about VESA standards for Mounting brackets for further clarification. Most importantly, TRU-Vu recommends this particular waterproof TV mount because of its durable qualities for our large monitors and touchscreens. Corrosion Resistant tilt mount wall brackets are highly recommended for Outdoors. Maximum load capacity is 175 lbs.

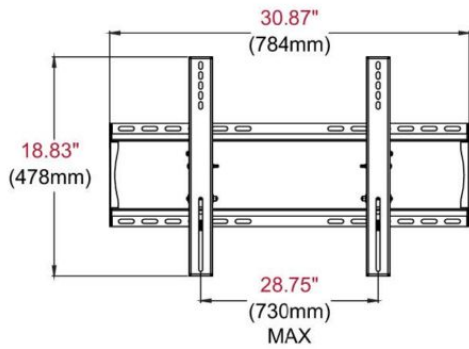
DIMENSIONS (MM)



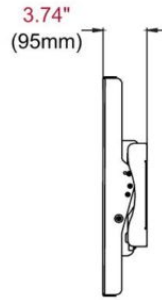
ADAPTOR PLATE DETAIL



ADAPTOR BRACKET DETAIL



FRONT VIEW



SIDE VIEW



**SIDE VIEW
+15°/-5° TILT**