



MMZB-23.8G-X

23.8" Medical-Grade LCD Monitor

- 23.8" Medical-Grade LCD Display
- Meets UL 60601, Edition 3.1; IEC 60601-1, 1-2 Edition
- White ABS Rear Enclosure; Zero-Bezel Front
- Full HD Resolution: 1920 x 1080 (1080p/60)
- Internal Speakers
- Lockable On-Screen Controls
- 3-Year Warranty

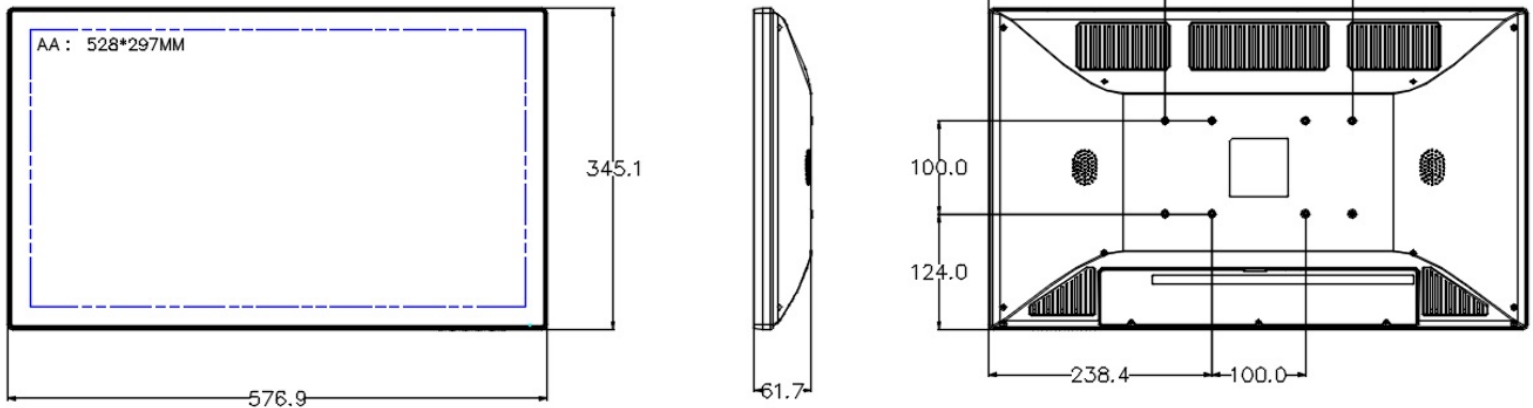
The MMZB-23.8G-X Medical-Grade monitors conform to the latest UL 60601-1 (Edition 3.1; IEC 60601-1, 1-2 Edition) regulations. They are ideal for hospital OR/ER/ICU, patient monitoring and information, telemedicine, endoscopy and other medical applications. The MMZB-23.8G-X monitors feature full HD resolution, and provide excellent image quality, color fidelity and image contrast, enabling surgeons to make better and faster decisions with maximum accuracy. The sleek edge-to-edge glass front face, without a raised edge bezel, is both stylish and functional: it is easy to clean and eliminates contamination build-up under the bezel, as with standard enclosures. The robust yet lightweight design and VESA-compliant rear mounting holes enable flexible mounting options for wall mounts, booms, and mobile carts. The MMZB-23.8G-X monitors are designed to operate 24/7, and are backed by our full 3-year warranty.

All TRU-Vu LCD monitors are specifically designed for use in demanding applications. Every TRU-Vu monitor utilizes industrial-grade components and high-end LCD panels not found in retail/consumer-grade monitors. This ensures superior image quality, improved performance, greater durability, and longer life. Visit TRU-VuMonitors.com for more details.

Specifications	
MODEL	MMZB-23.8G-X
LCD Panel	23.8" Color AHVA; LED Backlights
Display Resolution	1920 x 1080 (1080p/60)
Viewable Area	20.75" x 11.67" (527.2 x 296.46 mm)
Pixel Pitch	0.2745 mm
Display Colors	16.7 M
Aspect Ratio	16:9
Brightness	400 nits
Contrast Ratio	1,000:1
Viewing Angle	178° (H) x 178° (V)
Response Time	14 ms Gray to Gray
Control	OSD (On-Screen Display) via Pushbuttons
Video Inputs	DVI, HDMI, DisplayPort
Power Requirement	90-240 VAC via External Medical-Grade Power Supply
Power Consumption	20W
Enclosure	White (RAL 9003) ABS; Zero-Bezel Front with Anti-Reflective Glass
Mounting	Via 100x100mm Rear VESA Mount Holes
Operating Temp.	+32 to +122°F (0° to +50°C)
Humidity	5-90% Non-Condensing
Shock	50G, Half-sine Wave, 20ms, X/Y/Z
Vibration	Acceleration: 1.5 Grms; Random Wave; 10-200Hz; 30 mins Per Axis (X,Y,Z)
Dimensions	22.71" (W) x 13.58" (H) x 2.43" (D) (576.9 x 345.1 x 61.7 mm)
Weight	TBD
Warranty	3-Year

MMZB-23.8G-X

23.8" Medical-Grade Zero-Bezel LCD Monitor



Standard Accessories:

- Medical-Grade AC Power Supply
- Hospital-Grade Green Dot Power Cord
- DVI Cable
- HDMI Cable
- Audio Cable

Available Options:

- Tabletop Base
- P-Cap Touch Screen
- Private Label
- Black Enclosure
- Other Custom-Specific Modifications