



VMT-19 Series

19" Industrial-Grade Touch Screen Monitor

- 19" 5-Wire Resistive Surface Capacitive or P-Cap Touch
- Resolution: 1280 x 1024 (SXGA)
- Auto Re-Start After Power Loss
- Lockable On-Screen Display Controls
- Can Be Customized to Meet Your Needs
- 3-Year Warranty

The VMMTR-19C 19" Touch Screen monitors utilizes 5-wire resistive touch technology; the screen can be activated via a finger, gloved hand, credit card or stylus. The VMTC-19V utilizes a surface capacitive touch screen which can only be activated via an exposed human finger or special-purpose stylus. The VMTP-19U Projected Capacitive enables multi-touch capability. The image quality is exceptionally clear and bright; the contact activation point is extremely accurate; and both feature USB interfaces. An extensive list of OEM options enables you to customize every unit to meet your exact needs.

Specifications

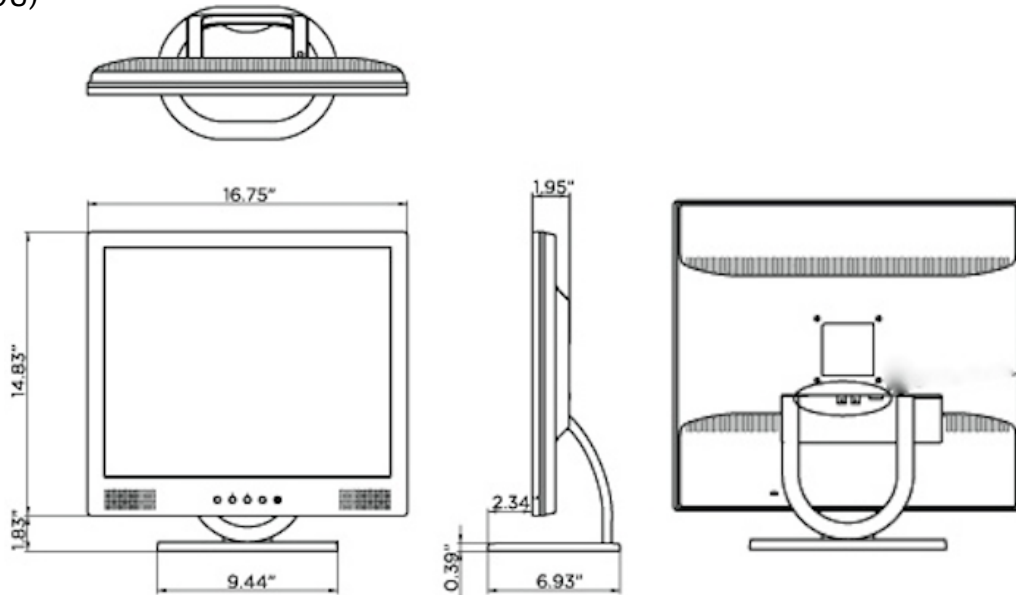
MODEL	VMMTR-19G-24	VMMTR-19C-24	VMMTR-19C	VMTC-19C	VMTP-19U
LCD Panel	19" Color TN Panel				19" Color AHVA Panel
Touch Screen	5-Wire Resistive			Surface Capacitive	Projected Capacitive
Touch Screen Interface	USB				
Resolution	1280 x 1024 (SXGA)				
Viewable Area	14.81" (W) x 11.85" (H) (376.17 x 300.98mm)				
Pixel Pitch	0.294 mm x 0.294 mm				
Display Colors	16.7M				
Aspect Ratio	4:3 (5:4)				
Brightness	350 nits				
Contrast Ratio	1,000:1				
Viewing Angle	170° (H) x 160° (V)			178°(H) x 178° (V)	
Response Time	5 msec (TrF)			25 msec (TrF)	
Control	OSD (On-Screen Display) via Front Panel Pushbuttons (may be locked)				
Video Inputs	DVI, HDMI, DisplayPort	VGA & DVI-D			VGA, HDMI, BNC
Power	12-24 VDC		12 VDC (90-240 VAC with Included Power Brick)		
Power Consumption	28 W				
Enclosure	ABS				ABS/Zero-Bezel
Mounting	Included Base or 75 x 75mm VESA Hole Pattern			75 x 75mm Rear VESA Holes (Optional Base)	Included Base or 75x75mm VESA Holes
Operating Temperature	32° to 140° F (0° to 60° C)			-4° to +140°F (-20° to +60°C)	
Humidity	5-90% RH				
Shock/Vibration	50 G (20 msec, 1/2 sine) / 1.5 G RMS 10-300Hz				
Approvals	UL/cUL, FCC, CE, TUV, RoHS				TBD
Dimensions	16.75" (W) x 14.83" (H) x 1.95" (D) (425.45 x 376.68 x 49.52 mm)				TBD
Weight	11.4 lbs. (5.17 kg)			12.5 lbs. (5.67 kg)	TBD

VMT-19 Series

19" Industrial-Grade Touch Screen Monitors

Dimensions:

(Except VMTP-19U)



Standard Accessories:

- 90-240 VAC Power Brick (Except VMMTR-19C-24)
- Tabletop Stand (Except VMTC-19C)
- VGA Cable
- Audio Cable

Available Options:

- SAW Touch Screen
- Protective/Anti-Reflective Glass
- Optical Bonding
- Panel Mount
- High-Temp Operation (-30° to +85° C)
- Powder-Coated Steel Enclosure
- 110 VAC Operation (no external power brick)
- Open-Frame Configuration
- Private-Label
- Wall-Mount Bracket
- Bolt-On Rack-Mount Bracket
- Other Customer - Specific Modifications