



SRM-19 Series

19" Sunlight-Readable Monitors

- Produces Clear, Sharp Images Even in Direct Bright Sunlight
- 1,000 nits Brightness
- **TRU-Tuff** Ensures Maximum Shock & Vibration Resistance
- Lockable OSD Controls
- Auto Re-Start After Power Loss
- Internal Speakers
- 3-Year Warranty

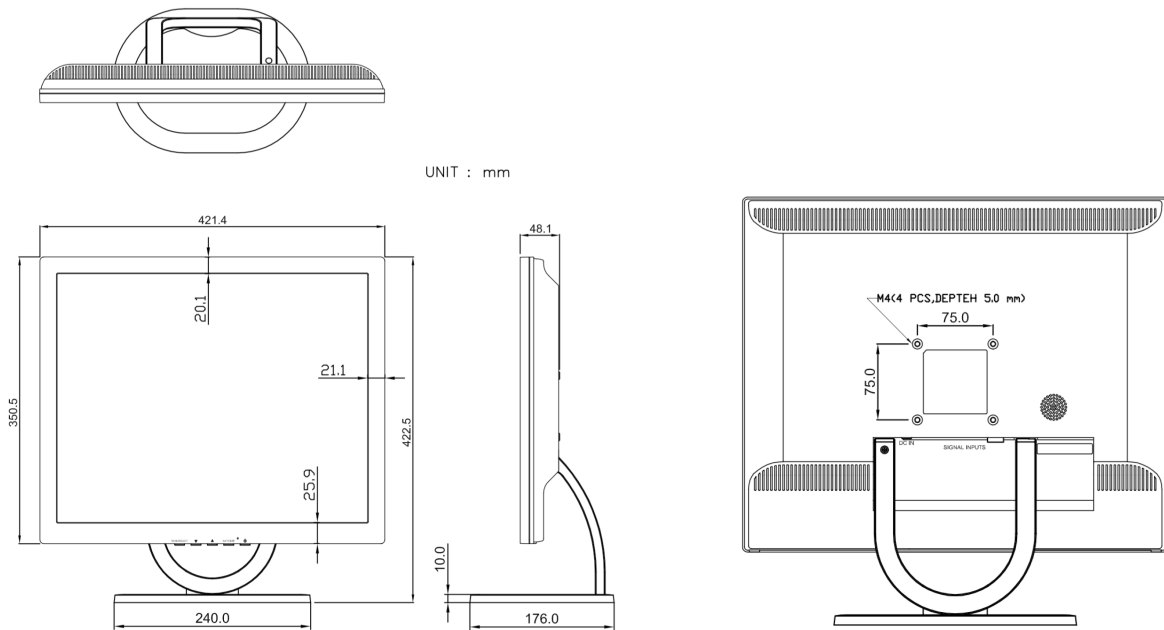
The SRM-19 Series Sunlight Readable LCD monitors are designed to operate in direct bright sunlight, or in other high ambient-light conditions. They utilize intensely bright backlights to produce over 1,000 nits of brightness (vs. 200-250 nits for standard monitors). This results in amazingly bright, crystal-clear images, even with direct, bright sunlight on the face of the screen. The Cortez image processing board ensures the highest image quality. The SRM-19 Series Sunlight Readable monitors are ideal for use in a wide range of industrial, law enforcement, aviation, marine, military, transportation, inspection, and advertising applications where viewability in direct bright sunlight is crucial.

All TRU-Vu industrial LCD monitors are specifically designed for use in demanding applications. Every TRU-Vu monitor utilizes industrial-grade components and high-end LCD panels not found in retail/consumer-grade monitors. This ensures superior image quality, improved performance and greater durability. Our 3-Year Warranty ensures you of reliable worry-free operation. Visit www.TRU-VuMonitors.com for more details.

Specifications				
MODEL	SRM-19B-24	SRM-19B	SRM-19S	SRM-19S-24
LCD Panel	19" Color LCD; LED Backlights			
Resolution	1280 x 1024 (SXGA)			
Viewable Area	14.81" (W) x 11.85" (H) (376.17 x 300.98 mm)			
Pixel Pitch	0.294mm x 0.294mm			
Display Colors	16.7 Million			
Aspect Ratio	4:3 (5:4)			
Brightness	1,000 nits			
Contrast Ratio	1,000:1			
Viewing Angle	170° (H) x 160° (V)			
Response Time	5 msec Trf			
Control	OSD (On-Screen Display) via Front Panel Pushbuttons			
Video Inputs	VGA, Composite (BNC Loop-Thru) NTSC/PAL Auto-Recognition		VGA, S-Video, Composite (BNC) NTSC/PAL	
Analog Video In / Out	1 BNC Input / 1 BNC Output		1 BNC Input	
In / Output Impedance	75Ω / Auto Terminating Output			
Audio	Rear Speaker			
Power Requirement	12-24 VDC (2.1 mm Barrel Plug) or 90-240 VAC via Included Power Brick	12 VDC (2.1 mm Barrel Plug) or 90-240 VAC via Included Power Brick		12-24 VDC (2.1 mm Barrel Plug) or 90-240 VAC via Included Power Brick
Power Consumption	48 Watts			
Enclosure	ABS			
Mounting	75x75mm Rear VESA Mount Holes or Optional Base			
Operating Temperature	32° to 122° F (0° to +50° C)			
Humidity	5-90% RH			
Shock	50 G (20 msec, ½ sine)			
Vibration	1.5G RMS 10-200 Hz			
Dimensions	16.59" (W) x 13.80" (H) x 1.89" (D) (421.4 x 350.5 x 48.1 mm)			
Weight	11 lbs. (5 kg)			
Accessories	VGA Cable			
Warranty	3-Years			

SRM-19 Series 19" Sunlight Readable LCD Monitors

Dimensions:



Standard Accessories:

- 90-240 VAC Power Brick
- VGA Cable

Available Options:

- Tabletop Base
- Automatic Ambient Light Sensor
- Dim-To-Black Function
- DVI Video Input
- Protective/Anti-Glare Glass
- Panel Mount
- Rack Mount
- Open-Frame Configuration
- Wall-Mount Bracket
- Private Label