



### ZBVM-18.5 Series 18.5" HD Zero-Bezel LCD Monitor

- Zero-Bezel, Seamless, All Glass Front Face
- Sleek Design, Easy to Clean
- Anti-Glare Glass
- HD Resolution: 1366 x 768 (720p)
- Dual Built-in Speakers (Rear)
- Auto Re-Start After Power Loss
- Lockable On-Screen Display (OSD) Controls
- Can Be Customized To Meet Your Needs
- 3 Year Warranty

The ZBVM-18.5 Series offers the latest look in LCD monitor technology. The zero-bezel design removes the front bezel used on standard monitors and replaces it with a seamless edge-to-edge piece of Anti-Glare glass. Coupled with a sleek and slim black body, the ZBVM-18.5 Series is an elegant solution for healthcare, kiosks, hospitality, A/V, commercial, digital signage and other markets.

However, don't be fooled by its stylish good looks. Inside, the ZBVM-18.5 Series features the same high-quality components and rugged performance that TRU-Vu Monitors are known for. It is backed by our standard 3-Year Warranty, and will provide brilliant HD-quality images for years to come.

All TRU-Vu industrial LCD monitors are specifically designed for use in demanding applications. Every TRU-Vu monitor utilizes industrial-grade components and high-end LCD panels not found in retail/consumer-grade monitors. This ensures superior image quality, improved performance and greater durability. Our 3-Year Warranty ensures you of reliable worry-free operation. Visit [www.TRU-VuMonitors.com](http://www.TRU-VuMonitors.com) for more details.

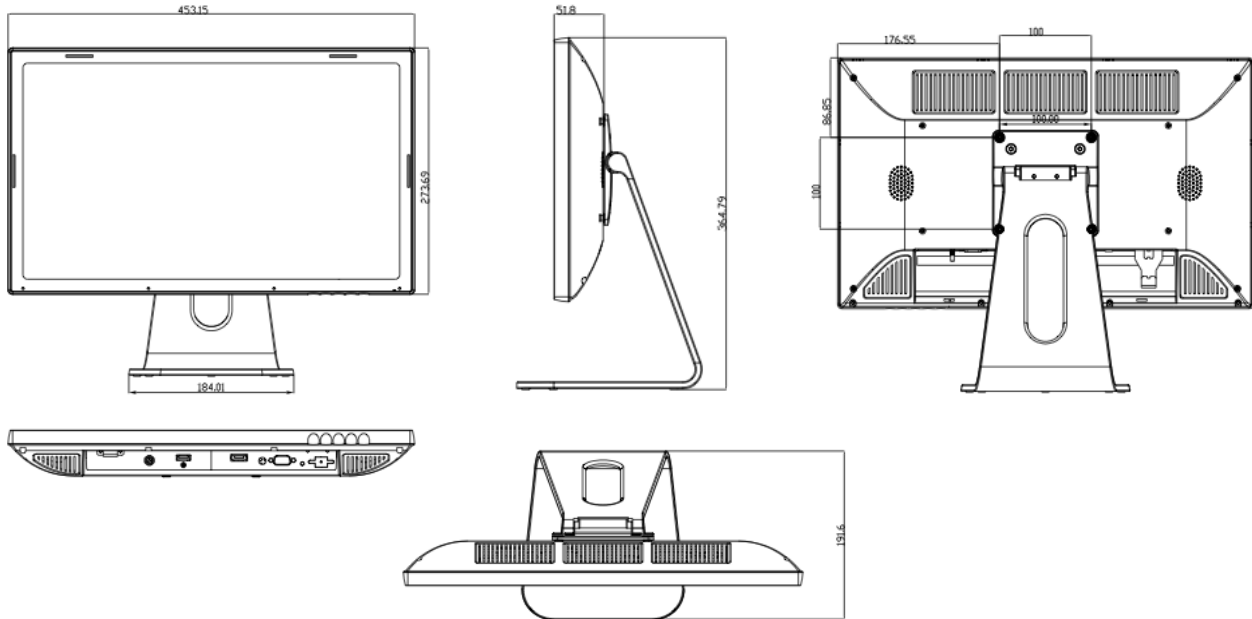
### Specifications

MODEL	CMZB-18.5 JKR	ZBVM-18.5R	ZBVM-18.5U	ZBVM-18.5G
LCD Panel	18.5" TFT Color LCD; LED Backlights			18.5" Color IPS; LED Backlights
Display Resolution	1366 x 768 (WXGA) (Accepts 1920 x 1080 Full HD Inputs)			
Display Area	16.13" x 9.07" (409.8 x 230.4 mm)			
Pixel Pitch	0.300 mm			
Display Colors	16:7 M			
Aspect Ratio	16:9			
Brightness	250 nits			
Contrast Ratio	1,000:1			
Viewing Angle	170° (H) x 160° (V)		178° (H) x 178° (V)	
Response Time	5 ms Trf			
Control	OSD (On Screen Display) via Pushbuttons (Lockable)			
Video Input Connectors	DVI, Composite (BNC Loop-Thru) (HDMI & VGA via Supplied Adapters)	VGA, HDMI, Display Port	VGA, HDMI, Composite (BNC Loop-Thru)	DVI, HDMI, DisplayPort
Power Requirement	12 VDC (2.1 mm Barrel Plug); 90-240 VAC via Included Power Brick			12-24 VDC
Power Consumption	16W			
Enclosure	ABS, Zero-Bezel Front Face Bezel Front			
Mounting	100 x 100 mm Rear VESA Holes	Tabletop Base or 100 x 100 mm Rear VESA Mount Holes		
Operating Temp.	32° to 122° F (0 to 50° C)			
Dimensions	17.84" (W) x 10.77" (H) x 2.04" (D) (453.15 x 273.69 x 51.8 mm)			
Weight	9.2 lbs. (4.17 kg)			
Approvals	UL, FCC, CE, RoHs			

## ZBVM-18.5 Series

### 18.5" HD Zero-Bezel LCD Monitor

#### Dimensions:



#### Standard Accessories:

- 90-260 VAC Power Brick
- Tabletop Stand (ZBVM-18.5R Only)
- VGA Cable
- Audio Cable

#### Available Options:

- HDMI-to-DVI Adapter
- Protective/Anti-Reflective Glass
- Touch Screen
- Private Label
- Other Customer - Specific Modifications