

VM-17 Series

Customizable Industrial Monitors



- 17" TFT Color LCD Monitor
- High Resolution: 1280 x 1024 (SXGA)
- **TRU-Tuff** Ensures Maximum Shock & Vibration Resistance
- Video Inputs: VGA, S-Video, DVI, HDMI, Composite (BNC Loop-Thru); NTSC/PAL
- Auto Re-Start After Power Loss
- Lockable On-Screen Display (OSD) Controls
- Can Be Customized to Meet Your Needs
- 3-Year Warranty

The VM-17 Series monitors offer a variety of video inputs, and are available in standard, open frame, rack mount, and touch screen configurations. The new VM-17ABS features internal speakers and a new high-end Cortez image processing board, which dramatically improves analog video picture quality. An extensive list of available OEM options enables you to customize a solution to your specific needs. Visit TRU-VuMonitors.com for more details.

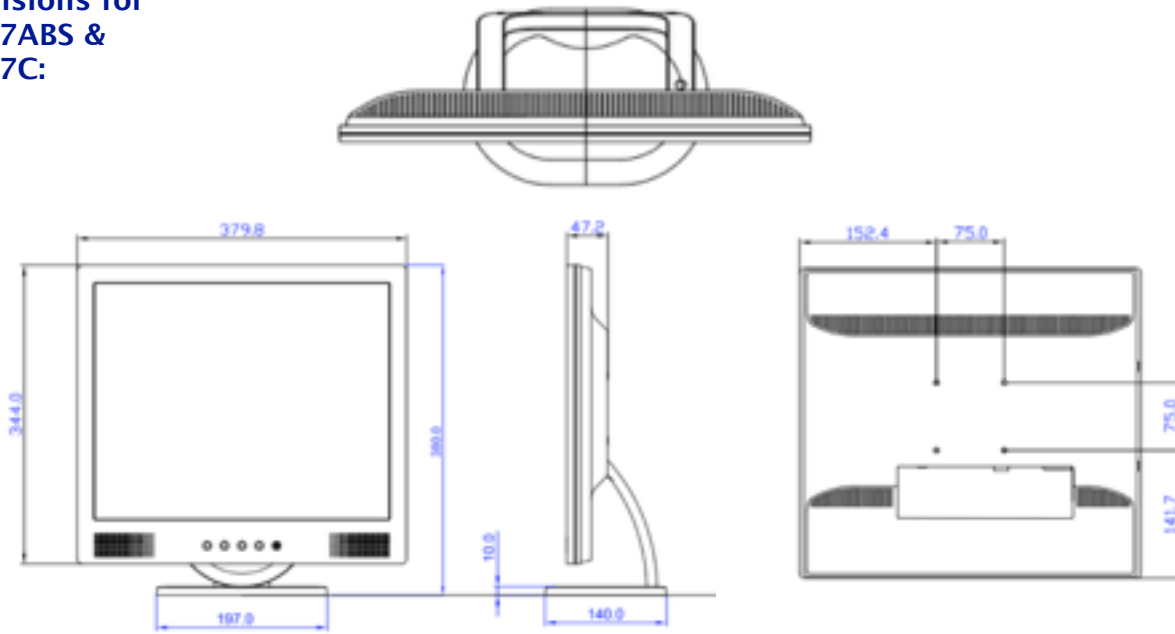
TRU-Vu industrial LCD monitors are specifically designed for use in demanding industrial, commercial, medical and A/V applications. Every TRU-Vu monitor utilizes industrial-grade components and high-end LCD panels not found in retail/consumer-grade monitors. This ensures superior image quality, improved performance and greater durability.

| Specifications | | | | |
|-----------------------|--|--|--|--|
| MODEL | VM-17C-36 | VM-17ABS | VM-17B | VM-17U |
| LCD Panel | 17" Color LCD (LED Backlights) | | | |
| Display | 1280 x 1024 (SXGA) | | | |
| Viewable Area | 13.3" (W) x 10.64" (H) | | | |
| Pixel Pitch | 0.264mm x 0.264mm | | | |
| Display Colors | 16.7 Million | | | |
| Aspect Ratio | 4:3 (5:4) | | | |
| Brightness | 300 nits | | | |
| Contrast Ratio | 1,000:1 | | | |
| Viewing Angle | 170° (H) x 160° (V) | | | |
| Response Time | 5 msec Trf | | | |
| Control | OSD (On-Screen Display) via Front Panel Pushbuttons | | | |
| Video Inputs | VGA, DVI | VGA, S-Video, Composite (BNC) NTSC/PAL | VGA, Composite BNC Loop-Thru; NTSC/PAL Auto Recognition | VGA, HDMI, Composite BNC Loop-Thru; NTSC/PAL |
| Internal Speakers | Dual Front | | Optional | |
| Power Requirement | 9-36 VDC | 12 VDC (2.1 mm Barrel Plug); 90-240 VAC via included Power Brick | 12 VDC (2.1 mm Barrel Plug); 90-240 VAC via included Power Brick | |
| Power Consumption | 40 Watts | | | |
| Enclosure | ABS | | | |
| Mounting | 75x75mm Rear VESA Mount Holes | Included Base or 75 x 75mm Rear VESA Mount Holes | | |
| Operating Temperature | 14° to 122° F (-10° to 50° C) | | | |
| Humidity | 5-90% RH | | | |
| Shock | 50 G (20 msec, ½ sine) | | | |
| Vibration | 1.5G RMS 10-200 HZ | | | |
| Approvals | UL/cUL, FCC, CE, TUV, RoHS | | | |
| Dimensions | 14.95" (W) x 13.54" (H) x 1.9" (D) (379.8 x 344 x 47.2mm) | | 14.88" (W) x 15.50" (H) x 1.9" (D) (378 x 317.5 x 48.6mm) | |
| Weight | 6.9 lbs. (2.99kg) | | | |
| Warranty | 3-Years | | | |

VM-17 Series

17" Customizable Industrial LCD Monitors

Dimensions for VM-17ABS & VM-17C:



Standard Accessories:

- 90-240 VAC Power Supply
- Tabletop Stand (Except VM-17C-36)
- VGA Cable
- S-Video Cable (VM-17ABS Only)
- Audio Cable (3.5mm to RCA Stereo)

Available Options:

- Waterproof Enclosure
- Protective/Anti-Reflective Glass
- Touch Screen
- Rack Mount Bracket
- Open-Frame Configuration
- Private Label
- Guaranteed Defect-Free LCD Panel
- Other Customer - Specific Modifications