



SRMT-17 Series

17" Sunlight Readable Touch Screen LCD Monitor

- Produces Clear, Sharp Images Even in Direct, Bright Sunlight
- TRU-Tuff Ensures Maximum Shock & Vibration Resistance
- 1,000-1,500 nits Brightness
- 5-wire Resistive or Surface Capacitive Touch Screen
- Lockable OSD (On-Screen Display) Controls
- Auto Re-Start After Power Loss
- 3-Year Warranty

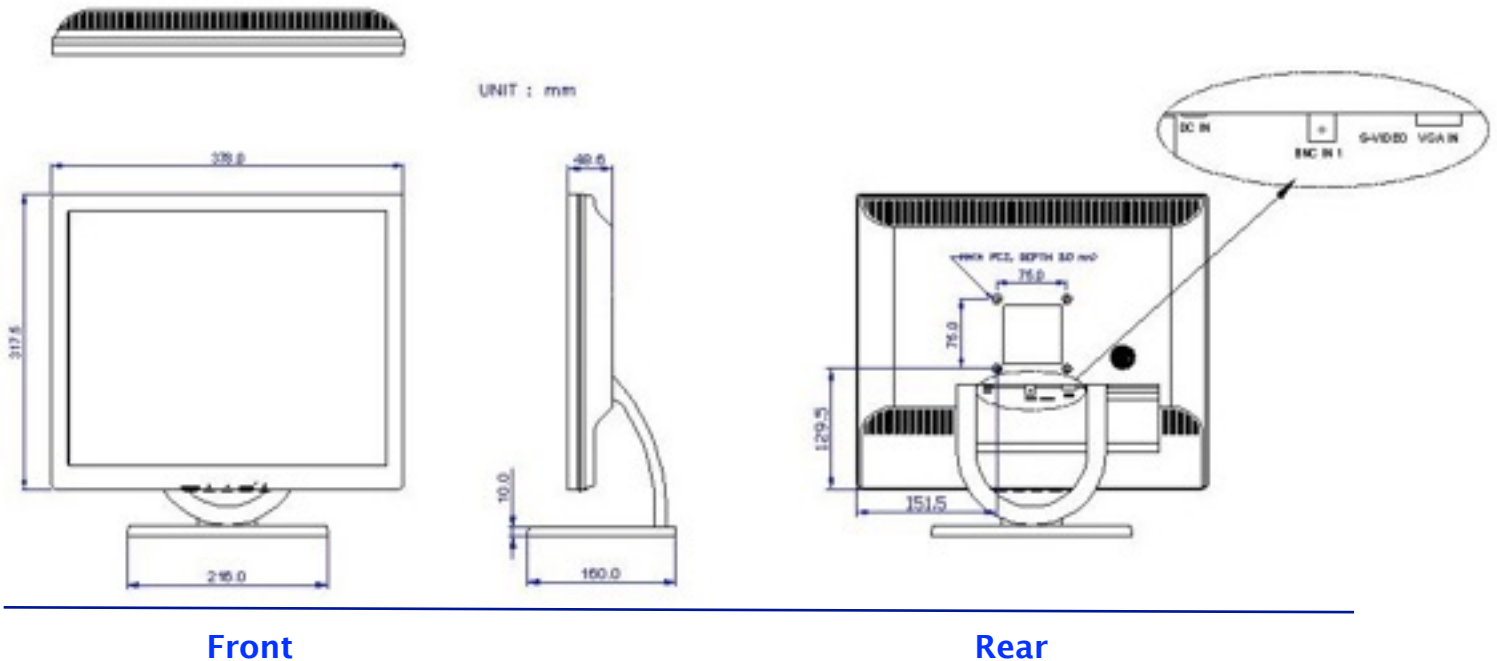
The SRMT-17 Sunlight Readable Touch Screen monitors are designed to operate in direct bright sunlight, or in other high ambient-light conditions. They utilize state-of-the-art LED backlights to produce 1,000 - 1,500 nits of brightness (vs. 250-300 nits for standard monitors). This results in amazingly bright, crystal-clear images, even with direct, bright sunlight on the face of the screen. SRMT-17 Sunlight Readable Touch Screen monitors will eliminate the need for sunshields, and squinting or straining to see washed-out images. All TRU-Vu industrial LCD monitors are specifically designed for use in demanding applications. Every TRU-Vu monitor utilizes industrial-grade components and high-end LCD panels not found in retail/consumer-grade monitors.

MODEL	SRMTC-17V	SRMTC-17R-H	SRMHTR-17H	SRMTR-17C
LCD Panel	17" Color LCD; LED Backlights			
Touch Screen	Surface Capacitive		5-Wire Resistive	
Touch Interface	USB		USB & RS-232	USB
Resolution	1280 x 1024 (SXGA)			
Viewable Area	13.3" (W) x 10.64" (H) (337.9 x 270.3 mm)			
Pixel Pitch	0.264mm x 0.264mm			
Display Colors	16.7 M			
Aspect Ratio	4:3 (5:4)			
Brightness	1,000 nits		1,500 nits	1,000 nits
Contrast Ratio	1,000:1			
Viewing Angle	170° (H) x 160° (V)			
Response Time	5 msec (Trf)			
Control	OSD (On-Screen Display) via Front Panel Pushbuttons			
Video Input	VGA	VGA, HDMI, DisplayPort	VGA & HDMI	VGA & DVI
Audio	Optional	Dual Rear Speakers	Optional	Dual Rear Speakers
Power Requirement	12 VDC (2.1 mm Barrel Plug); 90-240 VAC via Included Power Brick		9-36 VDC	12 VDC (2.1 mm Barrel Plug); 90-240 VAC via Included Power Brick
Power Consumption	48 Watts			
Enclosure	ABS	Powder Steel Coated		ABS
Mounting	75x75mm VESA Rear Hole Pattern (or Included Base)	75x75mm VESA Holes		75x75mm VESA Rear Hole Pattern (or Included Base)
Operating Temperature	32° to 122°F (0° to 50°C)	-22°F to 185°F (-30° to +85°C)		32° to 122°F (0° to 50°C)
Humidity	5 - 90% RH			
Shock	50G (20 msec, 1/2 sine)			
Vibration	1.5G RMS, 10-200 Hz			
Dimensions	14.8"(W) x 12.4"(H) x 1.9"(D) (375.92 x 314.96 x 48.26 mm)			
Weight	8.2 lbs. (3 kg)			
Warranty	3 Years			

SRMT-17 Series

17" Sunlight Readable Touch Screen LCD Monitor

Dimensions: (mm)



Standard Accessories:

- 90-240 VAC Power Brick
- VGA Cable
- Audio Cable

Available Options:

- Optical Bonding (SRMOBTC-17V)
- Tabletop Base
- Automated Ambient Light Sensor
- Panel-Mount Enclosure
- Waterproof Enclosure
- 24 VDC Operation
- -30° to +85°C Operating Temperature
- SAW Touch Screen
- Open-Frame Configuration (SRMTC-17G-OF)
- Private Label
- Wall Mount Bracket
- Other Customer - Specific Modifications