

### SRM-17 Series

#### 17" Sunlight Readable LCD Monitor



- Produces Clear, Sharp Images Even in Direct Bright Sunlight
- 1,000 nits Brightness
- **TRU-Tuff** Ensures Maximum Shock & Vibration Resistance
- High Resolution: 1280 x 1024 (SXGA)
- Internal Rear Speaker
- Lockable On-Screen Display (OSD) Controls
- Dim-To-Black Function
- Can Be Customized to Meet Your Needs
- Auto Re-Start After Power Loss
- 3 Year Warranty

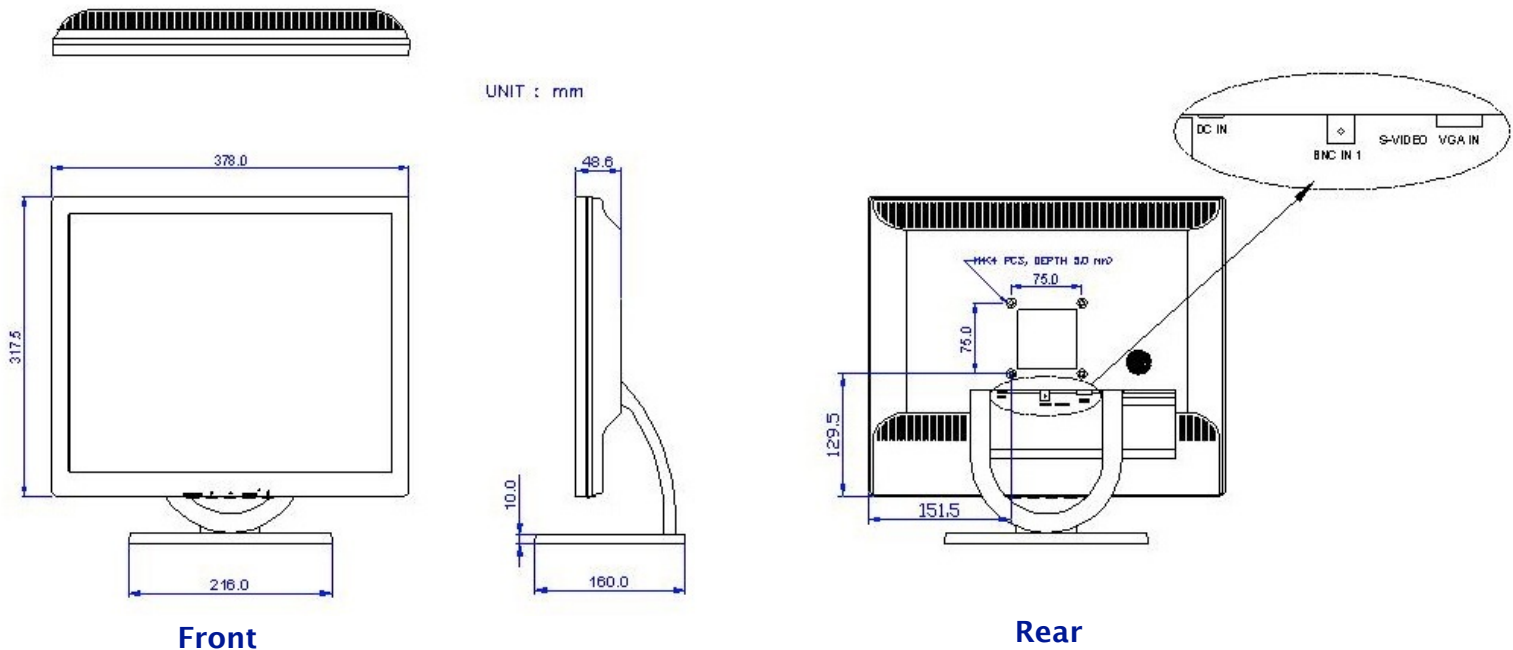
The SRM-17 Series Sunlight Readable LCD monitors are designed to operate in direct bright sunlight, or in other high ambient-light conditions. These state-of-the-art monitors produce over 1,000 nits of brightness (vs. 250-300 nits for standard monitors). This results in amazingly bright, crystal-clear images, even with direct, bright sunlight on the face of the screen. The SRM-17 Series Sunlight Readable monitors are ideal for use in a wide range of industrial, law enforcement, aviation, marine, military, inspection, advertising, material handling (cranes) and transportation applications where viewability in direct bright sunlight is crucial.

All TRU-Vu industrial LCD monitors are specifically designed for use in demanding applications. Every TRU-Vu monitor utilizes industrial-grade components and high-end LCD panels not found in retail/consumer-grade monitors. This ensures superior image quality, improved performance and greater durability. Our 3-Year Warranty ensures you of reliable worry-free operation. Visit [www.TRU-VuMonitors.com](http://www.TRU-VuMonitors.com) for more details.

Specifications			
MODEL	SRM-17P-DB-H	SRM-17S-DB-H	SRM-17R-DB-H
LCD Panel	17" Color LCD; LED Backlights		
Resolution	1280 x 1024 (SXGA)		
Viewable Area	13.30" (W) x 10.64" (H) (337.9 x 270.3 mm)		
Pixel Pitch	0.264mm		
Display Colors	16.7 Million		
Aspect Ratio	4:3 (5:4)		
Brightness	1,000 nits		
Contrast Ratio	1,000:1		
Dim-To-Black	Standard		
Viewing Angle	160° (H) x 140° (V)		
Response	5 msec Trf		
Control	OSD (On-Screen Display) via Front Panel Pushbuttons		
Video Inputs	DVI, S-Video, Composite BNC	VGA, S-Video, Composite (BNC) NTSC/PAL	VGA, HDMI, DisplayPort
Audio	Rear Speakers		
Power Requirement	12 VDC (2.1mm Barrel Plug); 90-240 VAC via Included Power Brick		
Power Consumption	50 Watts		
Enclosure	ABS		
Mounting	75x75mm Rear VESA Hole Pattern (Optional Tabletop Base)		
Operating Temperature	-30° to +185° F (-35° to +85° C)		
Humidity	5-90% RH		
Shock	50 G (20 msec, ½ sine)		
Vibration	1.5G RMS 10-200 HZ		
Dimensions	14.88 (W) x 12.50" (H) x 1.91" (D) (378 x 317.5 x 48.6mm)		
Weight	5.78 lbs. (2.62 kg)		
Warranty	3 Years		

## SRM-17 Series 17" Sunlight Readable LCD Monitor

### Dimensions:



### Standard Accessories:

- 90–240 VAC Power Supply
- VGA Cable
- Audio Cable

### Available Options:

- Tabletop Base
- Automated Ambient Light Sensor
- Protective/Anti-Glare Glass
- Waterproof NEMA 4 Enclosure
- BNC Loop-Thru Video Input
- 24 VDC Operation
- MB-RACK17 Rack Mount Bracket
- Touch Screen
- Open-Frame Configuration
- Private Label
- Other Customer – Specific Modifications