

### SRMT-15.6 Series

#### 15.6" Sunlight Readable Touch Screen LCD Monitor



- Produces Clear, Sharp Images Even in Direct Bright Sunlight
- Resistive, SAW, Surface Capacitive or P-Cap Touch Screen
- 1,000 or 1,500 nits Brightness
- LED Backlights
- Auto Re-Start After Power Loss
- Lockable On-Screen Display Controls
- Dim-to-Black Via Front Pushbuttons
- Available with NEMA 4X Waterproof Enclosure
- 3 Year Warranty

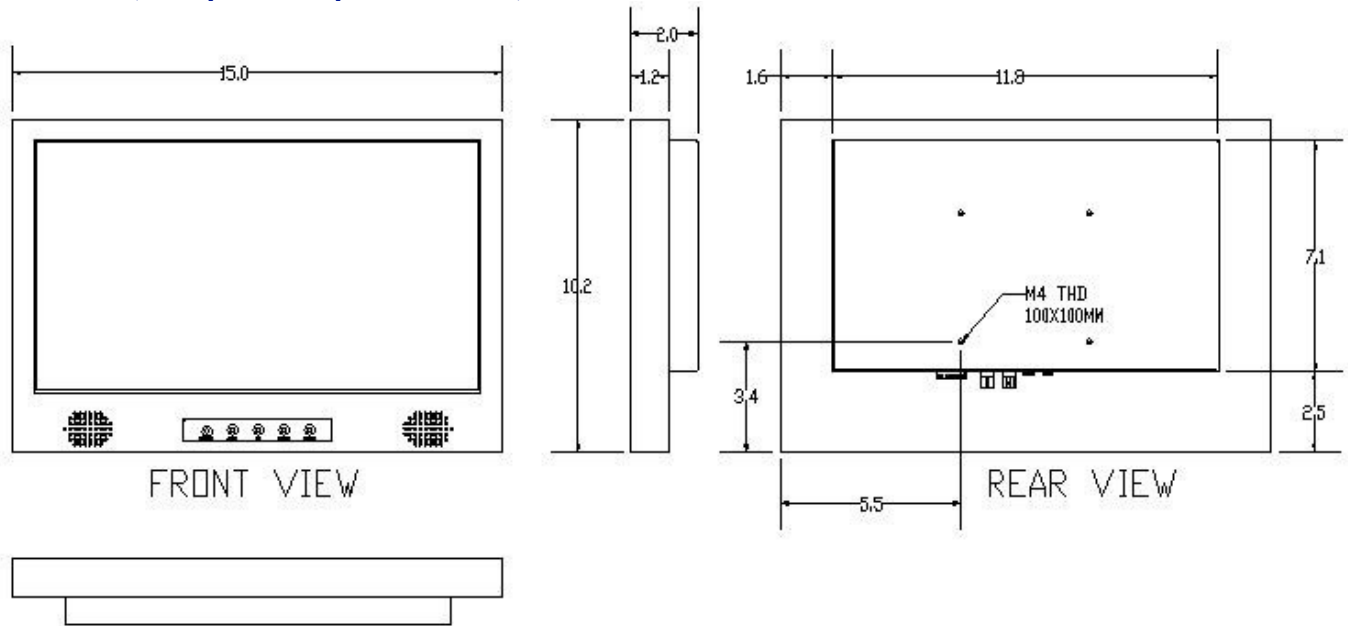
The SRMT-15.6 Series Sunlight Readable Touch Screen monitors are designed to operate in direct bright sunlight, or in other high ambient-light conditions. They utilize state-of-the-art LED backlights to produce over 1,000 nits of brightness (vs. 250-300 nits for standard monitors). This results in amazingly bright, crystal-clear images, even with direct, bright sunlight on the face of the screen. The SRMT-15.6 Series Sunlight Readable Touch Screens are ideal for use in a wide range of industrial, law enforcement, aviation, marine, military, inspection, advertising, material handling (cranes) and transportation applications where viewability in direct bright sunlight is crucial.

### Specifications

MODEL	SRMTS-15.6J	SRMTC-15.6J	SRMXTP-15.6R
LCD Panel	15.6" Color LCD; LED Backlights		
Touch Technology	SAW (Surface Acoustic Wave)	Surface Capacitive	P-Cap
Touch Interface	USB and RS-232		USB
Resolution	1366 x 768 (WXGA) (Will Accept Video Inputs up to 1920 x 1080 resolution)		1920x1080 Full HD
Viewable Area	13.55" (W) x 7.61" (H) (344.23 x 193.53 mm)		
Pixel Pitch	0.252mm		0.17925 mm
Display Colors	16.2M		16.7M
Aspect Ratio	16:9		
Brightness	1,000 nits		
Contrast Ratio	500:1		700:1
Viewing Angle	170° (H) x 160° (V)		160° (H) x 140° (V)
Response Time	8 msec Trf		
Control	OSD (On-Screen Display) via Front Panel Pushbuttons		
Video Inputs	DVI, BNC Loop-Thru (VGA & HDMI Via Supplied Adapter Cables)		VGA, HDMI, DisplayPort
Audio	Front Speakers		-
In / Output Impedance	75Ω / Auto Terminating Output		-
Power Requirement	12-24VDC (2.5mm Barrel Plug with Locking Connector)		12VDC / 90-240VAC
Power Consumption	25 Watts		
Enclosure	Powder-Coated Steel		
Mounting	100x100mm Rear VESA Hole Pattern		
Operating Temperature	+32° to +140° F (0° to +60° C)		+14° to +158° F (-10° to +70° C)
Humidity	5-90% RH		
Shock	50 G (20 msec, ½ sine)		
Vibration	1.5G RMS 10-200 HZ		
Dimensions	15.0" (W) x 10.2" (H) x 2.0" (D) (381.0 x 259.08 x 50.80 mm)		
Weight	8.82 lb (4 kg)		

## SRMT-15.6 Series 15.6" Sunlight Readable Touch Screen LCD Monitor

### Dimensions (except Waterproof Model):



### Standard Accessories:

- VGA Cable
- DVI-to-HDMI Cable
- DVI-to-VGA Adapter
- Power Pigtail with Locking Connector
- USB Cable

### Available Options:

- Automated Ambient Light Sensor
- 90-240VAC External Power Adapter (PS-12-LC)
- Protective Anti-Reflective Glass
- Speakers
- Tabletop Base (TTB-21)
- Wall Mount Bracket
- NEMA 4X Waterproof Panel Mount Enclosure
- Open-Frame Configuration
- Private Label

TRU-VU Monitors, Inc. | 925 E Rand Road  
Arlington Hts, IL  
60004

Ph: 847.259.2344

[www.TRU-VUMonitors.com](http://www.TRU-VUMonitors.com)