

### SRMHT-13.3 Series

#### 13.3" Sunlight Readable Touch Screen Monitor



- 1,500 nits Brightness
- Projected Capacitive (P-Cap) Touch Screen
- Produces Clear, Sharp Images Even in Direct Bright Sunlight
- Automatic Ambient Light Sensor
- Rugged Powder-Coated Steel Enclosure with Sleek Zero-Bezel Front
- Lockable On-Screen Display (OSD) Controls
- Auto Re-Start After Power Loss
- **TRU-Tuff** Ensures Maximum Shock and Vibration Resistance
- Can Be Customized to Meet Your Needs
- 3 Year Warranty

The SRMHT-13.3 Series Sunlight Readable touch screen monitors are designed to operate in direct bright sunlight, or in other high ambient-light conditions. They utilize state-of-the-art LED backlights to produce over 1,500 nits of brightness (vs. 250-300 nits for standard monitors). This results in amazingly bright, crystal-clear images, even with direct, bright sunlight on the face of the screen. The P-Cap touch screen enables multi-touch capability. SRMHT-13.3 Series touch screen monitors are ideal for use in a wide range of industrial, law enforcement, aviation, marine, military, inspection, advertising, material handling (cranes) and transportation applications where viewability in direct bright sunlight is crucial.

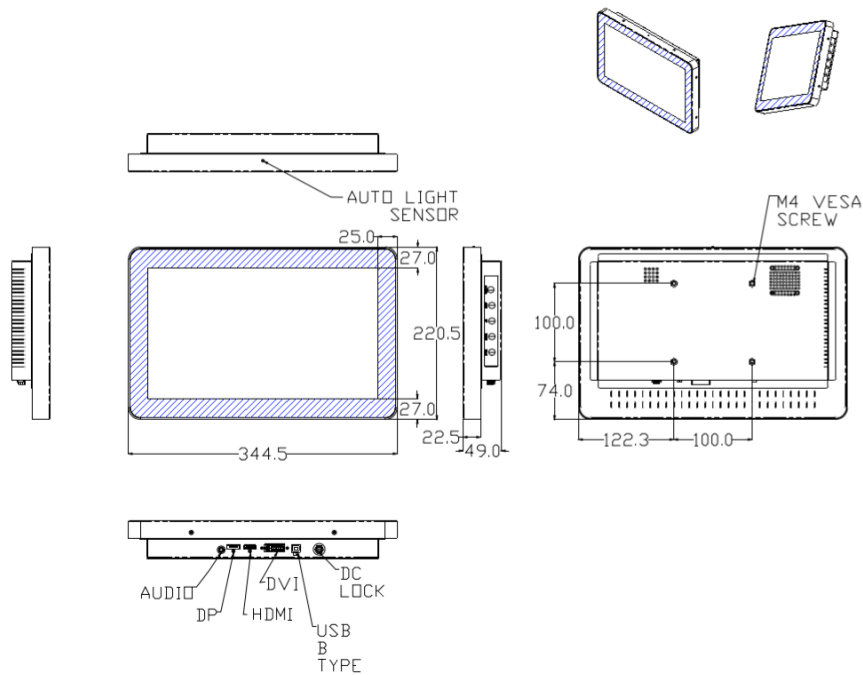
All TRU-Vu industrial LCD monitors are specifically designed for use in demanding applications. Every TRU-Vu monitor utilizes industrial-grade components and high-end LCD panels not found in retail/consumer-grade monitors. This ensures superior image quality, improved performance and greater durability. Our 3-Year Warranty ensures you of reliable worry-free operation. Visit [www.TRU-VuMonitors.com](http://www.TRU-VuMonitors.com) for more details.

### Specifications

MODEL	SRMHTP-13.3G-AL	SRMHTP-13.3G	SRMHTP-13.3U
LCD Panel	13.3" AHVA Panel; LED Backlights		
Touch Screen	Projected Capacitive (P-Cap)		
Touch Interface	USB		
Display Resolution	1920 x 1080 (1080P/60 Full HD)		
Viewable Area	11.55" (W) x 6.50" (H) (293.472 x 165.078 mm)		
Pixel Pitch	0.15285mm		
Display Colors	16.7 M		
Aspect Ratio	16:9		
Brightness	1,500 nits		
Contrast Ratio	800:1		
Viewing Angle	178° (H) x 178° (V)		
Response Time	25msec Trf		
Control	OSD (On-Screen Display) via Rear Panel Pushbuttons		
Video Inputs	DVI, HDMI, DisplayPort		VGA, HDMI, Composite (BNC Loop-Thru)
Internal Speakers	Standard		Optional
Power Consumption	12-24 VDC (2.5 mm Connector)		90-240 VAC
Enclosure	Aluminum, Zero-Bezel Front	Powder-Coated Steel, Zero-Bezel Front	
Mounting	100 x 100mm Rear VESA Mount Holes		
Operating Temp.	32° to 158° F (0° to +70° C)		
Humidity	5-90% RH		
Shock	50 G (20 msec, 1/2 sine)		
Vibration	1.5G RMS 10-200 HZ		
Dimensions	13.56" (W) x 8.68" (H) x 1.9" (D) (344.5 x 220.5 x 49mm)		
Weight	4.45 lbs. (2.02 kg)	6.5 lbs. (2.94 kg)	
Warranty	3 Years		

## SRMHT-13.3 Series 13.3" Sunlight Readable Touch Screen Monitor

### Dimensions:



### Standard Accessories:

- Power Pigtail with Locking Connector ("G" Model)
- AC Power Adapter ("U" Model)
- HDMI Cable

### Available Options:

- AC Adapter for "G" Models (PS-12-LC)
- Aluminum Enclosure
- Optical Bonding
- Stainless Steel NEMA 4X Waterproof Enclosure
- Tabletop Base
- Wall Mount Bracket
- Panel Mount
- Other Customer – Specific Modifications