



### SRMHTWP-10.4 Series 10.4" Sunlight Readable Waterproof Panel-Mount Touch Screen Monitors

- Produce Clear, Sharp Images Even in Direct Bright Sunlight
- 5-Wire Resistive Touch
- 1,500 Nits Brightness
- Stainless Steel Panel-Mount Enclosure
- NEMA 4X / IP65 Waterproof Front Face
- Automatic Ambient Light Sensor
- Auto Re-Start After Power Loss
- Lockable On-Screen Display Controls
- 3 Year Warranty

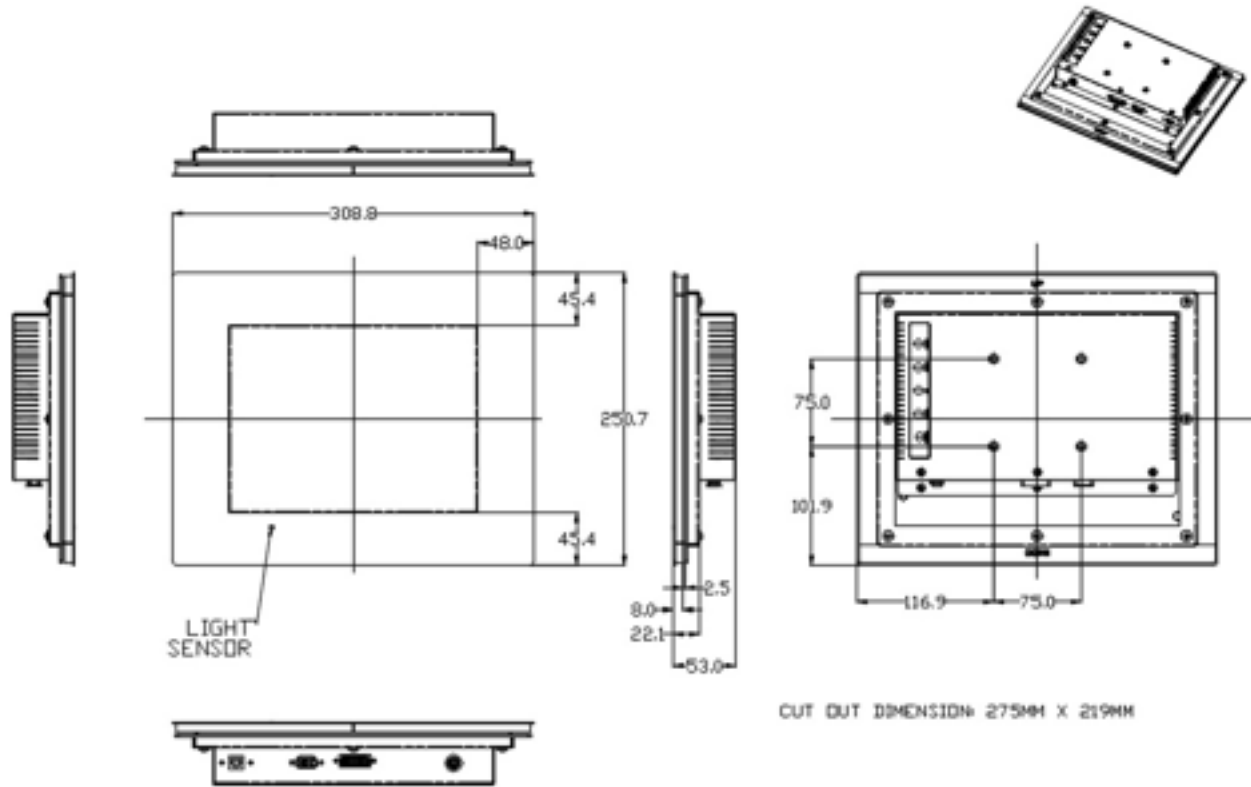
The SRMHTWP-10.4 Series Sunlight Readable Waterproof Panel-Mount Touch Screens are designed to operate in direct bright sunlight, or in other high ambient-light conditions. They utilize state-of-the-art LED backlights to produce over 1,500 nits of brightness (vs. 250-300 nits for standard monitors). The waterproof panel-mount enclosure enables installation in wash down or wet environments. The Ambient Light Sensor brightens or dims the screen as needed, depending upon ambient light conditions. The SRMHTWP-10.4 Series Sunlight Readable Waterproof Panel-Mount Touch Screens are ideal for use in a wide range of industrial, marine, military, manufacturing, inspection, advertising and transportation applications where viewability in direct bright sunlight is crucial.

All TRU-Vu industrial LCD monitors are specifically designed for use in demanding applications. Every TRU-Vu monitor utilizes industrial-grade components and high-end LCD panels not found in retail/consumer-grade monitors. This ensures superior image quality, improved performance and greater durability. Our 3-Year Warranty ensures you of reliable worry-free operation. Visit [www.TRU-VuMonitors.com](http://www.TRU-VuMonitors.com) for more details.

|                   | Specifications   |                 |
|-------------------|--|-----------------|
| MODEL             | SRMHXTRWP-10.4C  | SRMHXTRWP-10.4H |
| LCD Panel         | 10.4" Color MVA LCD Panel (LED Backlights)                       |                 |
| Touch Technology  | 5-Wire Resistive Touch   |                 |
| Touch Interface   | USB  |                 |
| Resolution        | 1024 x 768 (XGA)   |                 |
| Viewable Area     | 8.31" (W) x 6.24" (H) (211.2 x 158.4 mm)                         |                 |
| Pixel Pitch       | 0.2055 mm  |                 |
| Display Colors    | 16.2 M   |                 |
| Aspect Ratio      | 4:3  |                 |
| Brightness        | 1,500 nits   |                 |
| Contrast Ratio    | 3,000:1  |                 |
| Response Time     | 15 msec Trf  |                 |
| Viewing Angle     | 178° (H) x 178° (W)  |                 |
| Control           | OSD (On-Screen Display) via Rear Panel Pushbuttons               |                 |
| Video Inputs      | VGA, DVI   | VGA & HDMI      |
| Power Requirement | 12-24VDC   |                 |
| Power Consumption | 24W  |                 |
| Enclosure         | Stainless Steel Panel-Mount (Rear Clamp)                         |                 |
| Rating            | NEMA 4X / IP65 Front Face  |                 |
| Operating         | -22 °F to +176 °F (-30 °C to +80 °C)                             |                 |
| Humidity          | 8-90%RH  |                 |
| Shock             | 50 G (20 msec, ½ sine)   |                 |
| Vibration         | 1.5G RMS 10-200 HZ 30 mins/axis (X,Y,Z)                          |                 |
| Dimensions        | 12.16" (W) x 9.87 (H) / 308.8 x 250.70 mm (Cut-Out: 275 x 219mm) |                 |
| Warranty          | 3 Years  |                 |

## SRMHTWP-10.4 Series 10.4" Sunlight Readable Waterproof Panel-Mount Touch Screen Monitors

Dimensions: (mm)



### Standard Accessories:

- VGA Cable
- Locking Power Pigtail

### Available Options:

- HD-SD Input
- Private Label
- Other Customer - Specific Modifications