



### VMOBTC-17R-H

#### 17" Daylight Viewable Touch Screen Monitor

- Surface Capacitive Touch Screen
- Optical Bonding For Clear, Sharp Images, Even in Bright Daylight Conditions
- Protective Anti-Reflective Glass
- Video Inputs: VGA, HDMI, DisplayPort
- Operating Temperature: -22° F to +185° F (-30° C to 85° C)
- Lockable On-Screen Display (OSD) Controls
- Auto Re-Start After Power Loss
- **TRU-Tuff** Ensures Maximum Shock/Vibration Resistance
- 3 Year Warranty

The VMOBTC-17R-H is an optically-bonded surface capacitive touch screen monitor. The optical bonding ensures clear, sharp images even in bright daylight conditions. It also eliminates internal reflections, improves contrast ratio, and strengthens the protective Anti-Reflective glass. The surface capacitive screen can only be activated via an exposed human finger. This prevents false triggering from accidental contact, water, or dirt on the surface. The VMOBTC-17R-H is ideal for a wide range of demanding applications including industrial, law enforcement, marine, military, material handling, and transportation.

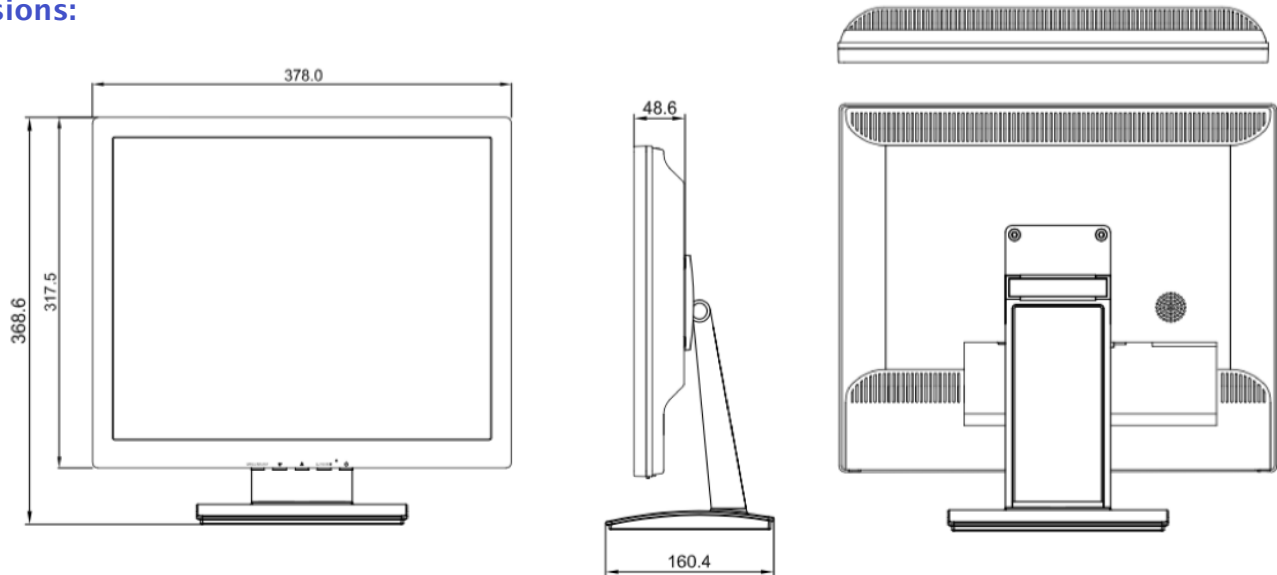
TRU-Vu industrial LCD monitors are specifically designed for use in demanding industrial, commercial, medical and A/V applications. Every TRU-Vu monitor utilizes industrial-grade components and high-end LCD panels not found in retail/consumer-grade monitors. This ensures superior image quality, improved performance and greater durability.

	Specifications
<b>MODEL</b>	<b>VMOBTC-17R-H</b>
<b>LCD Panel</b>	17" Color LCD; LED Backlights
<b>Touch Screen Type</b>	Surface Capacitive Touch
<b>Touch Interface</b>	USB
<b>Resolution</b>	1280 x 1024 (SXGA)
<b>Viewable Area</b>	13.30" (W) x 10.64" (H) (337.92 x 270.34 mm)
<b>Pixel Pitch</b>	0.264 mm
<b>Display Colors</b>	16.7M
<b>Aspect Ratio</b>	4:3 (5:4)
<b>Brightness</b>	350 nits
<b>Contrast Ratio</b>	1,000:1
<b>Viewing Angle</b>	160° (H) x 140° (V)
<b>Response Time</b>	5 msec
<b>Control</b>	OSD (On-Screen Display) via Front Panel Pushbuttons
<b>Video Inputs</b>	VGA, HDMI, Display Port
<b>Power Requirement</b>	12 VDC (90-240 VAC via Included Power Brick)
<b>Enclosure</b>	ABS
<b>Mounting</b>	75 x 75 mm Rear VESA Holes
<b>Operating Temperature</b>	-22° F to +185° F (-30° C to +85° C)
<b>Humidity</b>	5-90% RH
<b>Shock</b>	50G (20 msec, 1/2 sine)
<b>Vibration</b>	1.5 G RMS 10-200Hz, P-P
<b>Dimensions</b>	14.88" (W) x 12.50" (H) x 1.91" (D) (378 x 317.5 x 48.6 mm)
<b>Weight</b>	8.47 lbs. /3.84 kg
<b>Warranty</b>	3 Year

### VMOBTC-17R-H

17" Daylight Readable Touch Screen Monitor

#### Dimensions:



#### Standard Accessories:

- 90-240 VAC Power Brick Adapter
- VGA Cable
- USB Cable
- Touch Screen Driver CD

#### Available Options:

- Panel Mount
- SAW Touch Screen
- Open Frame Configuration
- Private Label
- 24 VDC Operation
- Tabletop Base