

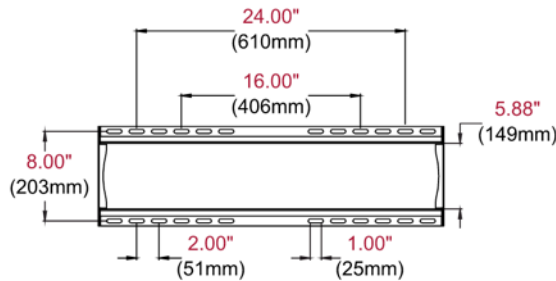
MB-6500WR Series

Outdoor Wind Rated Tilt Wall Mount for 32" to 65" Displays

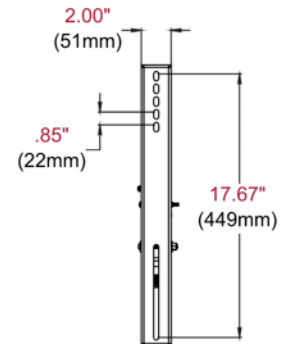


- Made of Corrosion Resistant materials for weather resistance
- Universal Mounts Fit Displays with Mounting Patterns Up To 28.75"W x 17.67"H (730 x 449mm) and Up To 600 x 400mm, VESA compliant
- Wind Rated up to 110mph, Elevation 200ft (60m), Category "D"
- Fixed Incremental Tilt with Angle Settings at 0°, 2°, 5°, 10° or 15°
- Hook-And-Hang Design for Simplified Installation
- Up to 8" of Horizontal Positioning
- Available Colors Black (MB-6500WR) and Stone Gray (MB-6500WR-S)
- Maximum Load Capacity: 200lbs (90.7kg)

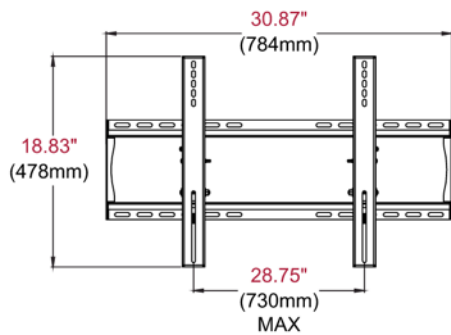
Dimensions



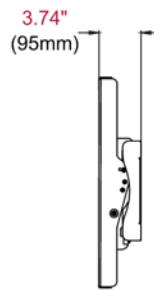
ADAPTOR PLATE DETAIL



ADAPTOR BRACKET DETAIL



FRONT VIEW



SIDE VIEW



**SIDE VIEW
+15°/-5° TILT**