

### SXOB-49-XTR-P

#### 49" Outdoor Waterproof Sunlight Readable LCD Monitor/TV



- IP 68/NEMA 6 Fully-Sealed Enclosure; No Vents, Filters or Fans
- Full HD Resolution: 1920 x 1080 (1080p/60)
- Internal Heating and Cooling for Use in Nearly Any Environment
- Optically Bonded; Can Be Viewed In Direct Sunlight
- Ambient Light Sensor Adjusts Screen Brightness Automatically
- Anti-Reflective, Impact-Resistant Safety Glass
- Built-in TV Tuner
- Made in USA

The **SXOB-49-XTR** Sunlight Readable Waterproof LCD monitor/TV represents the most advanced technology available today. The Optically Bonded high-brightness screen enables users to see clear, sharp video images even with bright sunlight directly on the screen. The Anti-Reflective, UV-protective safety glass reduces glare and reflections while protecting the screen.

The **SXOB-49-XTR's** fully-sealed enclosure carries the highest waterproof/protection rating (IP 68) of any monitor/TV on the market. A patented internal heating/cooling system keeps components cool in hot conditions and safely warmed in cold temperatures. This eliminates the need for air vents, filters or exhaust fans found in other units. The entire IP 68-rated enclosure is completely sealed against weather, water, dirt, dust, sand, bugs and airborne particulates. This is the ultimate solution for use outdoors, or in nasty industrial environments.

	<b>Specifications</b>
<b>MODEL</b>	<b>SXOB-49-XTR-P</b>
<b>LCD Panel</b>	49" Industrial-Grade LCD Monitor
<b>Display Resolution</b>	1920 x 1080
<b>Viewable Area</b>	42.275" x 23.779" (1073.8 x 604mm)
<b>Pixel Pitch</b>	.55926mm
<b>Display Colors</b>	10 Bit, 1.06 Billion Colors
<b>Aspect Ratio</b>	16:9
<b>Brightness</b>	700 nits
<b>Contrast Ratio</b>	1,300:1
<b>Viewing Angle</b>	178° (H) x 178° (V)
<b>Response Time</b>	8ms (Gray to Gray)
<b>Video Inputs</b>	VGA, HDMI (x3, Component (YPbPr), Composite (RCA), Coax (TV)
<b>Audio Inputs</b>	VGA Stereo (3.5mm), CVBS Stereo (RCA), YPbPr Stereo (RCA) (Soundbar Optional)
<b>Control</b>	Remote Control; RS-232 Control
<b>Power Requirement</b>	90 VAC to 240 VAC, 47 to 63 Hz
<b>Power Consumption</b>	Display - 104W (Nominal)      Low Temperature Heater - 804W
<b>Enclosure</b>	Rugged IP 68/NEMA 6 Waterproof Enclosure
<b>Protective Glass</b>	Anti-Reflective & UV Protective Safety Glass, 4 mm thick
<b>Mounting</b>	600mm x 400m VESA Hole Pattern
<b>Operating Temperature</b>	-40°F to +140°F (-40 to +60°C)
<b>Dimensions</b>	44.51" (W) x 26" (H) x 5.73" (D) (1,131 x 766 x 276mm)
<b>Net Weight/Shipping</b>	99.5 lbs. / 108.5 lbs.
<b>Warranty</b>	2 Years

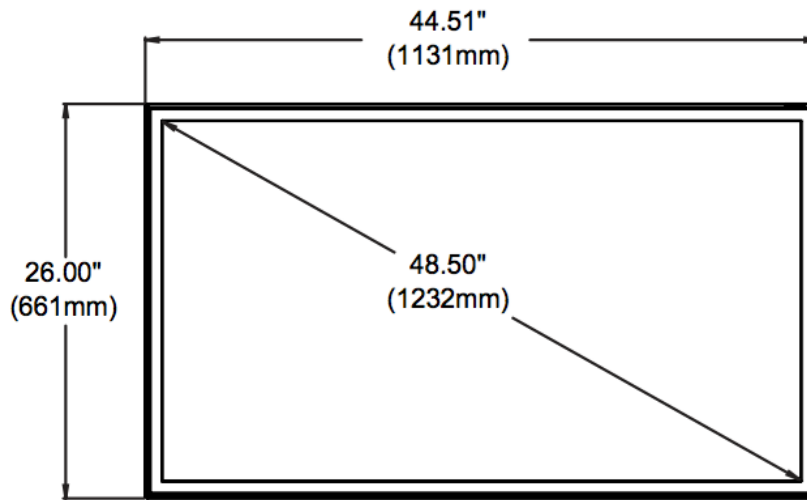
# SXOB-49-XTR

49" Outdoor Waterproof Sunlight Readable LCD Monitor/TV

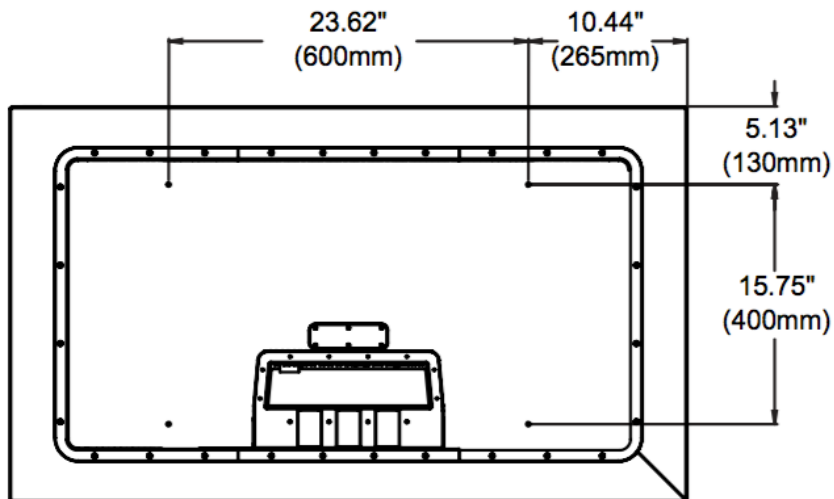
**Dimensions:**



**TOP VIEW**



**FRONT VIEW**



**BACK VIEW**