



VMT-27 Series

27" Touch Screen Monitors

- Surface Capacitive or IR Touch
- Full HD Resolution: 1920 x 1080 (1080p/60)
- LED Backlights
- Video Inputs: VGA, HDMI, DisplayPort, DVI
- Auto Re-Start After Power Loss
- Can Be Customized to Meet Your Needs
- 3 Year Warranty

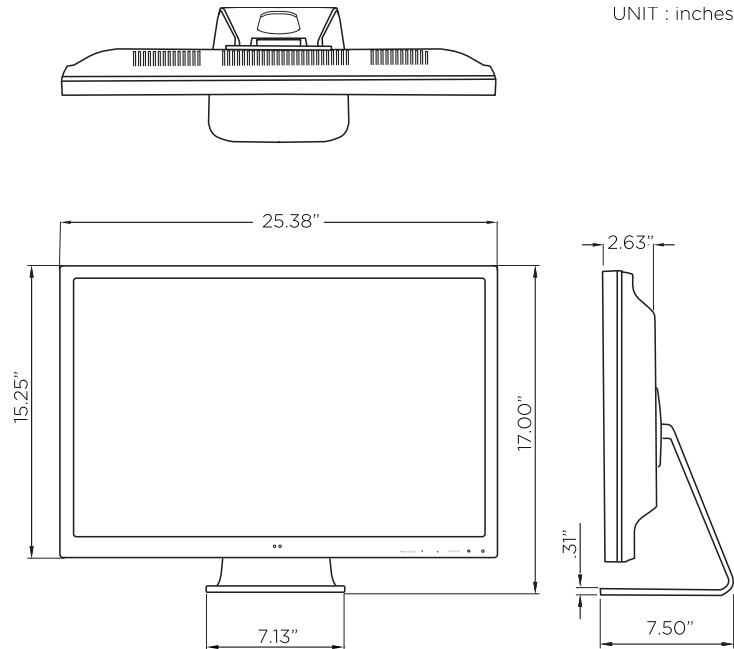
The VMTC-27 Series touch screen monitors utilize a Surface Capacitive touch screen. They feature excellent image quality and a durable glass surface. The screen can only be activated via a bare human finger. This can prevent accidental false-triggering. The VMTI-27 utilizes an infrared touch screen, which can be activated via nearly any object. It also offers Multi-Touch capability (10 simultaneous touch points) and "Palm-Rejection" settings.

All TRU-Vu industrial LCD monitors are specifically designed for use in demanding applications. Every TRU-Vu monitor utilizes industrial-grade components and high-end LCD panels not found in retail/consumer-grade monitors. This ensures superior image quality, improved performance and greater durability. Visit www.TRU-VuMonitors.com for more details.

Specifications			
MODEL	VMTI-27R-TN-24	VMTC-27R-TN	VMTC-27C
LCD Panel	27" Color TN Panel		27" Color MVA Panel
Touch Technology	IR	Surface Capacitive	
Touch Interface	USB		
Display Resolution	1920 x 1080 (1080p/60, Full HD)		
Viewable Area	23.53" (W) x 13.23" (H) (597.6 x 336.15 mm)		
Pixel Pitch	0.311 mm		
Display Colors	16.7M		
Aspect Ratio	16:9		
Brightness	300 nits		
Contrast Ratio	1,000:1		
Viewing Angle	170° x 160°		178° x 178°
Response Time	5 msec Trf		
Control	OSD (On-Screen Display) via Front Pushbuttons		
Video Inputs	VGA, HDMI, DisplayPort		VGA, DVI
Audio	Dual Speakers		
Power Requirement	12-24 VDC	90-240 VAC	
Power Consumption	60W (max)		
Enclosure	Powder-Coated Steel	ABS	
Mounting	Included Base or via 100 x 100, 100 x 200 and 200 x 100 VESA Hole Pattern		
Operating Temperature	+32° to +122° F (0° to +50° C)		
Storage Temperature	-4° to +140° F (-20° to +60° C)		
Humidity	5-90% RH		
Shock	50 G (20 msec, ½ sine)		
Vibration	1.5G RMS 10-200 HZ		
Dimensions	25.38" (W) x 15.25" (H) x 2.63" (D) (644.65 x 387.35 x 66.8 mm)		
Weight	TBD	10.8 lbs. (4.89 Kg)	
Warranty	3 Years		

VMT-27 Series 27" Customizable Touch Screen Monitors

Dimensions:



Standard Accessories:

- Audio Cables
- Power Cord
- VGA & HDMI Cables
- Tabletop Base

Available Options:

- Projected Capacitive Touch
- 1,000 Nits Brightness
- Wall Mount Brackets
- Open-Frame Configuration
- Private-Label
- Other Customer-Specific Modifications