



### MMZBTP-27 Series

#### Medical-Grade Touch Screen LCD Monitor

- 27" HD Medical-Grade P-Cap Touch Screen
- 10 Simultaneous Touch Points
- Zero-Bezel Design; All-Glass Front Simplifies Cleaning
- Meets UL 60601-1 Ver. 3 Certified
- Full HD Resolution: 1920 x 1080
- LED Backlights
- Built-In Speakers
- 3 Year Warranty

The TRU-Vu MMZBTP-27 Series are 27" Medical-Grade Projected Capacitive Touch Screen monitors. They are certified to meet UL 60601-1 3rd edition. The P-Cap touch technology enables multi-touch (up to 10 simultaneous points); it can be activated via dual fingers that are exposed, or in a surgical glove. The screen is unaffected by dirt, grease or moisture on the glass surface. The sleek edge-to-edge glass front face, without a raised edge bezel, is both stylish and functional: it is easy to clean and eliminates contamination build-up under a bezel, as with standard-type housings. The MMZBTP-27 Series monitors are ideal for hospital operating rooms, endoscopy, OEM medical systems, PACS and other medical applications. Compatible with all Windows and most Linux operating systems.

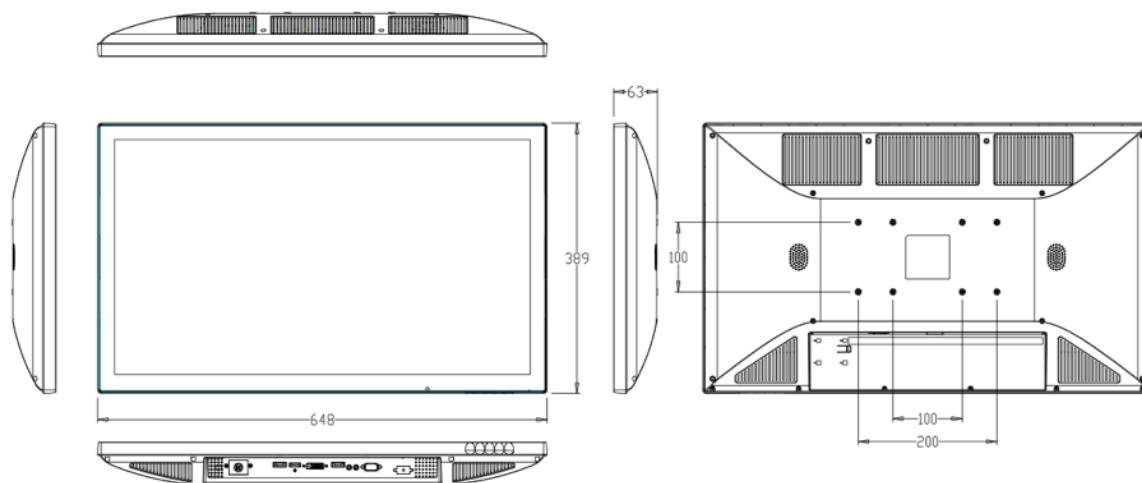
TRU-Vu customizable LCD monitors are specifically designed for use in demanding medical, industrial and commercial applications. Every TRU-Vu monitor utilizes industrial-grade components and high-end LCD panels not found in retail/consumer-grade monitors. This ensures superior image quality, improved performance and greater durability. Visit [www.TRU-VuMonitors.com](http://www.TRU-VuMonitors.com) for more details.

Specifications		
MODEL	MMZBTP-27R	MMZBTP-27C
LCD Panel	27" Color LCD; LED Backlights	
Touch Screen Type	Projected Capacitive; 10 Simultaneous Touch Points	
Touch Interface	USB	
Resolution	1920 x 1080 (Full HD)	
Viewable Area	23.53" (W) x 13.23" (H) (597.6 x 336.15mm)	
Pixel Pitch	0.311 mm	
Display Colors	16.7 Million	
Aspect Ratio	16:9 Widescreen	
Brightness	300 nits	
Contrast Ratio	3,000:1	
Viewing Angle	178° (H) x 178° (V)	
Response Time	12 msec	
Control	OSD (On-Screen Display) Via Front Buttons	
Video Inputs	VGA, HDMI, DisplayPort	VGA & DVI-D
Audio	Dual Rear Speakers	
Power Requirement	100-240 VAC, 50/60 Hz with Green-Dot Power Cord (Also available with External Medical-Grade Power Supply)	
Power Consumption	75 W max (63 W typical)	
Plug & Play	DDC 1/2B	
Enclosure	ABS: Zero-Bezel Design; IP22	
Mounting	Included Tabletop Base or Rear 100mm x 100mm/200 x 100mm VESA Holes	
Operating Temperature	32° to 122° F (0° to 50° C)	
Humidity	5-90% RH	
Shock	50G Half-sine 20 msec	
Vibration	1.5G RMS 10-200 Hz	
Certifications	UL 60601-1 Ver. 3, CAN/CSA-22.2 No 601.1-M90: 2005; IEC 60950-1, EN 60601-1, IEC 60601-1; CE: EN 60601-1; FCC-B; roHs Compliant	
Dimensions	25.51" (W) x 15.23" (H) x 2.48" (D) (648 x 389 x 63mm)	
Weight	15.23 lbs. (6.91kg)	
Warranty	3 Years	

## MMZBTP-27 Series

### Medical-Grade Touch Screen LCD Monitor

#### Dimensions:



#### Standard Accessories:

- Hospital-Grade Green-Dot Power Cord
- Tabletop Base
- VGA Cable
- Audio Cable
- USB Cable
- HDMI Cable ("R" Version only)
- DisplayPort ("R" Version only)
- DVI Cable ("C" Version only)

#### Available Options:

- 12VDC Operation with External Medical-Grade AC Power Supply
- DICOM Part 14 GSDF Calibration
- Private-Label
- Other Customer-Specific Modifications