



VMT-21.5 Series 21.5" Touch Screen Monitor

- Full HD Resolution: 1920 x 1080 (1080p/60)
- SAW, 5-Wire Resistive, Surface Capacitive or P-Cap Touch
- Video Inputs: VGA, and HDMI, DisplayPort
- Internal Speakers
- Lockable On-Screen Display Controls
- Can Be Customized To Meet Your Needs
- Auto Re-Start After Power Loss
- 3-Year Warranty

The VMTS-21.5R SAW Touch Screen monitors are designed for maximum light transmission and superb optical clarity. They have a very durable glass surface, with the highest level of scratch-resistance of any touch technology. The VMTS-21.5R SAW Touch Screens are ideal for use in a wide range of military, industrial, law enforcement, aviation, marine, inspection, advertising and transportation applications.

The VMTR-21.5R is a 5-Wire Resistive Touch Screen. This model can be activated with nearly any type of device: exposed finger, glove, stylus, pointer, etc. Its immunity to surface contaminants (oil, water, dirt) makes it a popular choice for more challenging environments. It is a very cost-effective choice for public access, kiosks and more. The VMTC-21.5V features a Surface Capacitive Touch Screen.

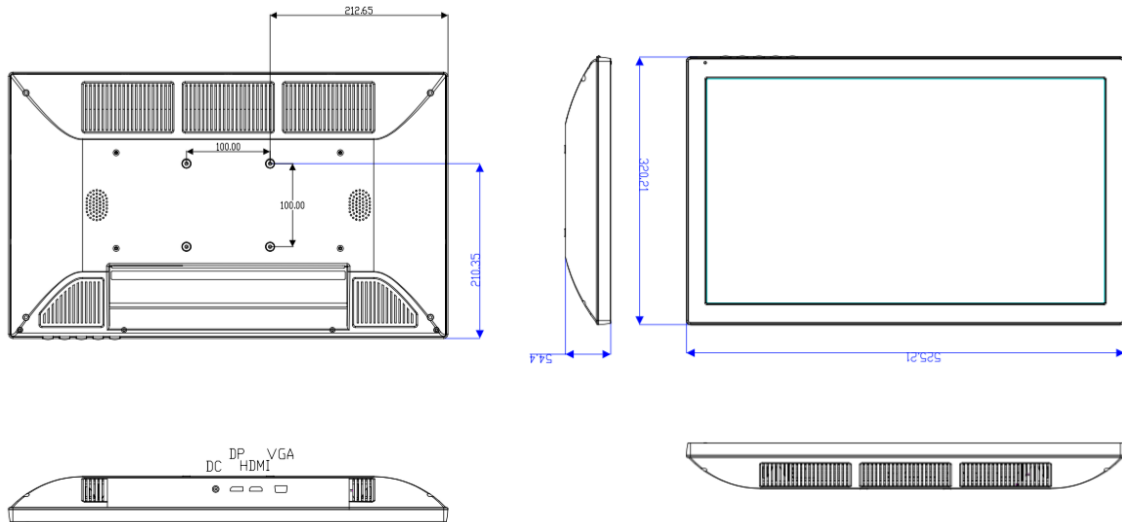
Specifications				
MODEL	VMTS-21.5R	VMTR-21.5R	VMTC-21.5V	VMTP-21.5C-24M
LCD Panel	21.5" Color LCD; LED Backlights			
Touch Technology	SAW (Surface Acoustic Wave)	5-Wire Resistive	Surface Capacitive	Projected Capacitive
Touch Interface	USB			
Display Resolution	1920 x 1080 (1080p/60 Full HD)			
Viewable Area	18.76" x 10.55" (476.6 x 268.1 mm)			
Pixel Pitch	0.248mm			
Display Colors	16.7 M			
Aspect Ratio	16:9			
Brightness	250 nits			
Contrast Ratio	3,000:1			
Viewing Angle	178° (H) x 178° (V)			
Response Time	18 ms Trf			
Control	OSD (On-Screen Display) via Pushbuttons			
Video Inputs	VGA, HDMI & DisplayPort		VGA	VGA & DVI
Power Requirement	12 VDC/90-240 VAC			12-24VDC
Power	25W			
Enclosure	Powder-Coated Steel	ABS		Powder-Coated Steel
Mounting	Via Included Base or 100 x 100 mm Rear VESA Mount Holes			
Operating Temperature/	32° to 140°F (0° to +60°C); 5-90% Non-Condensing RH			
Shock	50G, Half-sine Wave, 20ms, X/Y/Z			
Vibration	Acceleration: 1.5 G RMS; Random Wave; 10-200Hz; 30 mins Per Axis (X,Y,Z)			
Dimensions	20.87" W x 12.68" H x 2.17" D (530.5 x 322 x 55mm)	20.68" W x 12.60" H x 2.18" D (525.3 x 320 x 55.4mm)		
Weight	13.6 lbs. (6.2 Kg)	9.8 lbs. (4.5 Kg)		
Included	VGA and HDMI Cables		VGA Cables	
Warranty	3-Years			

VMT-21.5 Series

21.5" Industrial-Grad

Dimensions:

(Except for S.A.W.-Model)



Standard Accessories:

- 90-240VAC External Power Brick
- VGA Cable
- HDMI Cable (Except 'V' Model)
- Tabletop Base

Available Options:

- Direct 120VAC Operation
- 24VDC Operation
- Panel Mount Enclosure
- Steel Enclosure
- DVI Input
- Waterproof Enclosure
- Private-Label
- Other Customer-Specific Modifications