



### VM-21.5 Series 21.5" Industrial-Grade LCD Monitor

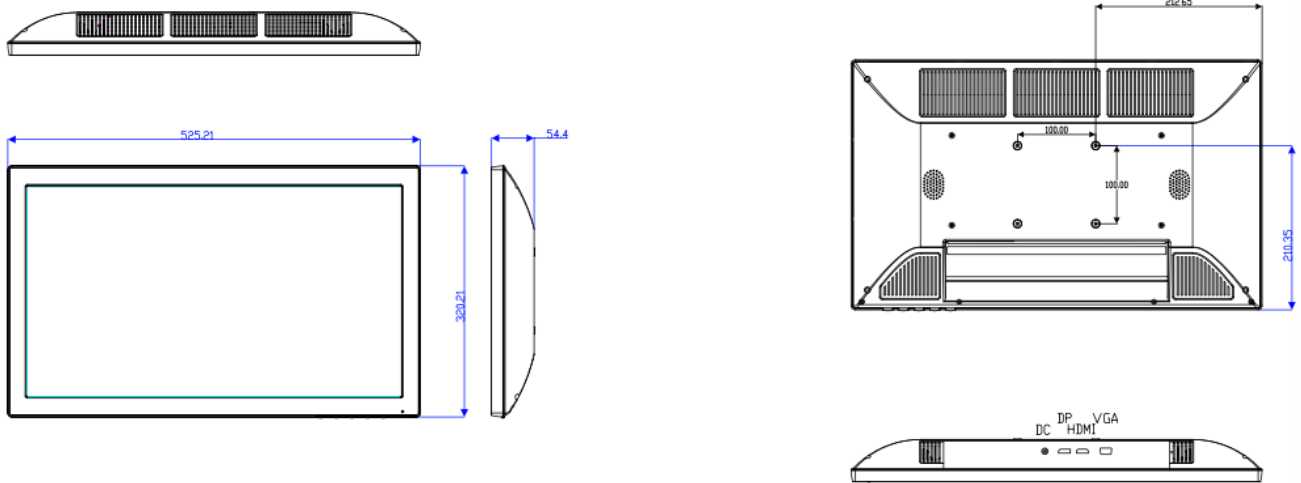
- Full HD Resolution: 1920 x 1080 (1080p/60)
- LED Backlights
- Video Inputs: VGA, HDMI, DVI, HD-SDI, Composite BNC Loop-Thru, DisplayPort
- **TRU-Tuff** Ensures Maximum Shock & Vibration Resistance
- Auto Re-Start After Power Loss
- Lockable On-Screen Display Controls
- Can Be Customized to Meet Your Needs
- 3-Year Warranty

The VM-21.5 Series full HD widescreen LCD monitors offers brilliant color, amazing high-definition resolution, and incredible picture quality while providing the reliability and ruggedness that demanding applications require. They are designed to operate 24/7/365 and are backed by our 3-Year Warranty. The VM-21.5 Series monitors are ideal for demanding industrial, commercial, medical and military applications.

All TRU-Vu industrial LCD monitors are specifically designed for use in demanding applications. Every TRU-Vu monitor utilizes industrial-grade components and high-end LCD panels not found in retail/consumer-grade monitors. This ensures superior image quality, improved performance and greater durability. Visit [www.TRU-VuMonitors.com](http://www.TRU-VuMonitors.com) for more details.

Specifications						
MODEL	VM-21.5Z	VM-21.5R	VM-21.5C	VM-21.5PHL	VM-21.5U	VM-21.5U-24
LCD Panel	21.5" Color LCD (MVA Type); LED Backlights					
Display Resolution	1920 x 1080 (1080p/60 Full HD)					
Viewable Area	18.76" x 10.55" (476.6 x 268.1 mm)					
Pixel Pitch	0.248mm					
Display Colors	16.7 M					
Aspect Ratio	16:9					
Brightness	250 nits					
Contrast Ratio	3,000:1					
Viewing Angle	178° (H) x 178° (V)					
Response Time	5 ms Trf					
Control	OSD (On-Screen Display) via Pushbuttons					
Video Inputs	VGA, HD-SDI, HDMI, Composite BNC Input	VGA, HDMI & DisplayPort	VGA & DVI	VGA & HDMI	VGA, HDMI Composite BNC	
Video Outputs	1 HD-SDI & 1 Composite	---			1 Composite BNC	
Power	12 VDC (2.1 mm Barrel Plug)/ 90-240 VAC via Included Power					12-24 VDC
Power	25W					
Enclosure	ABS					
Mounting	Via Included Tabletop Base or 100x100mm Rear VESA Mount Holes					
Operating Temp./Humidity	32° to 122°F (0° to +50°C); 5-90% Non-Condensing					
Storage Temperature	-4° to +140°F (-20° to +60°C)					
Shock	50G, Half-sine Wave, 20ms, X/Y/Z					
Vibration	Acceleration: 1.5 G RMS; Random Wave; 10-200Hz; 30 mins Per Axis (X,Y,Z)					
Dimensions	20.68" W x 12.60" H x 2.18" D (525.3 x 320 x 55.4mm)					
Weight	7.4 lbs. (3.4 Kg)					
Warranty	3-Years					

### VM-21.5 Series 21.5" Industrial-Grade LCD Monitor



#### Standard Accessories:

- 90-240VAC External Power Brick
- VGA Cable
- HDMI Cable (Except 'C' Model)
- Tabletop Base

#### Available Options:

- Direct 120VAC Operation
- Panel Mount Enclosure
- 400 Nit LCD Panel
- 12-36 VDC Operation
- 8 HDMI Inputs
- 3 or 5 Composite BNC Inputs
- White Enclosure
- Steel Enclosure
- Touch Screen
- NEMA 4X Waterproof Enclosure
- Protective Anti-Reflective Glass
- Private-Label
- Other Customer-Specific Modifications