

SRMOB-19B

19" Optically Bonded Sunlight Readable Monitors



- Produces Clear, Sharp Images Even in Direct Bright Sunlight
- 1,000 nits Brightness
- Optical Bonding Improves Contrast Ratio
- LED Backlights
- Protective Anti-Glare Glass
- Lockable OSD Controls
- Internal Speakers
- 3 Year Warranty

The SRMOB-19B Optically Bonded Sunlight Readable LCD monitors are designed to operate in direct bright sunlight, or in other high ambient-light conditions. They utilize intensely bright backlights to produce over 1,000 nits of brightness. This results in amazingly bright, crystal-clear images, even with direct, bright sunlight on the face of the screen. Anti-Glare glass protects the LCD panel, and reduces glare. Optical Bonding eliminates internal reflections, improves the contrast ratio, eliminates the potential for internal condensation, and greatly strengthens the glass. The Cortez image processing board ensures the highest image quality. The SRMOB-19B Optically Bonded Sunlight Readable monitors are ideal for use in a wide range of industrial, law enforcement, aviation, marine, military, transportation, inspection, and advertising applications where viewability in direct bright sunlight is crucial.

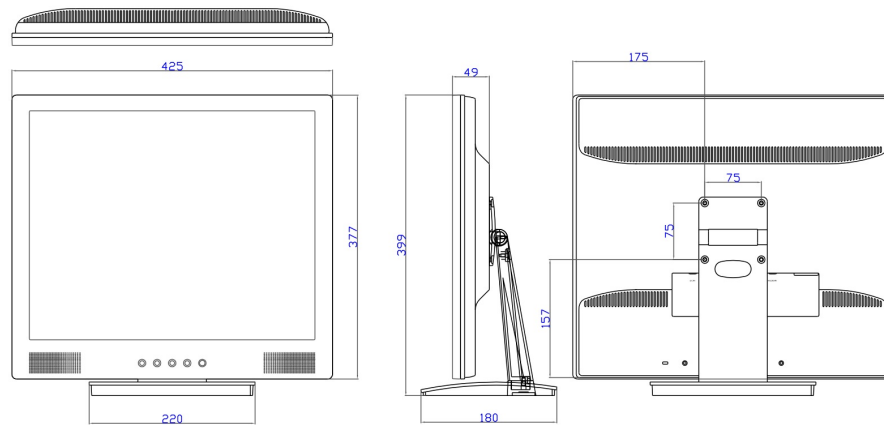
All TRU-Vu industrial LCD monitors are specifically designed for use in demanding applications. Every TRU-Vu monitor utilizes industrial-grade components and high-end LCD panels not found in retail/consumer-grade monitors. This ensures superior image quality, improved performance and greater durability.

Specifications

MODEL	SRMOB-19B
LCD Panel	19" Color TFT LCD Monitor
Resolution	1280 x 1024 (SXGA)
Image Size (mm)	14.81" (W) x 11.85" (H) (376.17 x 300.98 mm)
Pixel Pitch	0.294mm x 0.294mm
Display Colors	16.7 Million
Aspect Ratio	4:3 (5:4)
Brightness	1,000 nits
Contrast Ratio	1,200:1
Viewing Angle	170° (H) x 160° (V)
Response Time	5 msec Trf
Control	OSD (On-Screen Display) via Front Panel Pushbuttons
Video Inputs	VGA, Composite BNC Loop-Thru (1 BNC Input, 1 BNC Output) NTSC/PAL Auto-Recognition
In / Output Impedance	75Ω / Auto Terminating Output
Audio	Dual Front Speakers
Power Requirement	12 VDC (90-240 VAC with Included Power Brick)
Power Consumption	48 Watts
Enclosure	ABS
Mounting	Included Tabletop Base or 75x75mm VESA Hole Pattern or Rear Panel
Operating Temperature	32° to 122° F / (0° to +50° C)
Humidity	5-90% RH
Shock	50 G (20 msec, 1/2 sine)
Vibration	1.5G RMS 10-200 Hz
Approvals	UL/cUL, FCC, CE, TUV, RoHS
Dimensions	16.5" (W) x 14.83" (H) x 1.95" (D) (419.09 (W) x 376.6 (H) x 49.52 (D) mm)
Weight	11 lbs. / 5 kg

SRMOB-19B

Dimensions:



Standard Accessories:

- 90–240 VAC Power Brick
- VGA & Audio Cables
- Tabletop Base

Available Options:

- S-Video, HDMI, or DVI Video Inputs
- 24 VDC Operation
- Protective/Anti-Glare Glass
- Panel Mount
- Rack Mount
- Open-Frame Configuration
- Wall-Mount Bracket
- Private Label
- Other Customer – Specific Modifications