



SRMOBTWP-19 Series

19" Sunlight Readable Panel-Mount Touch Screen

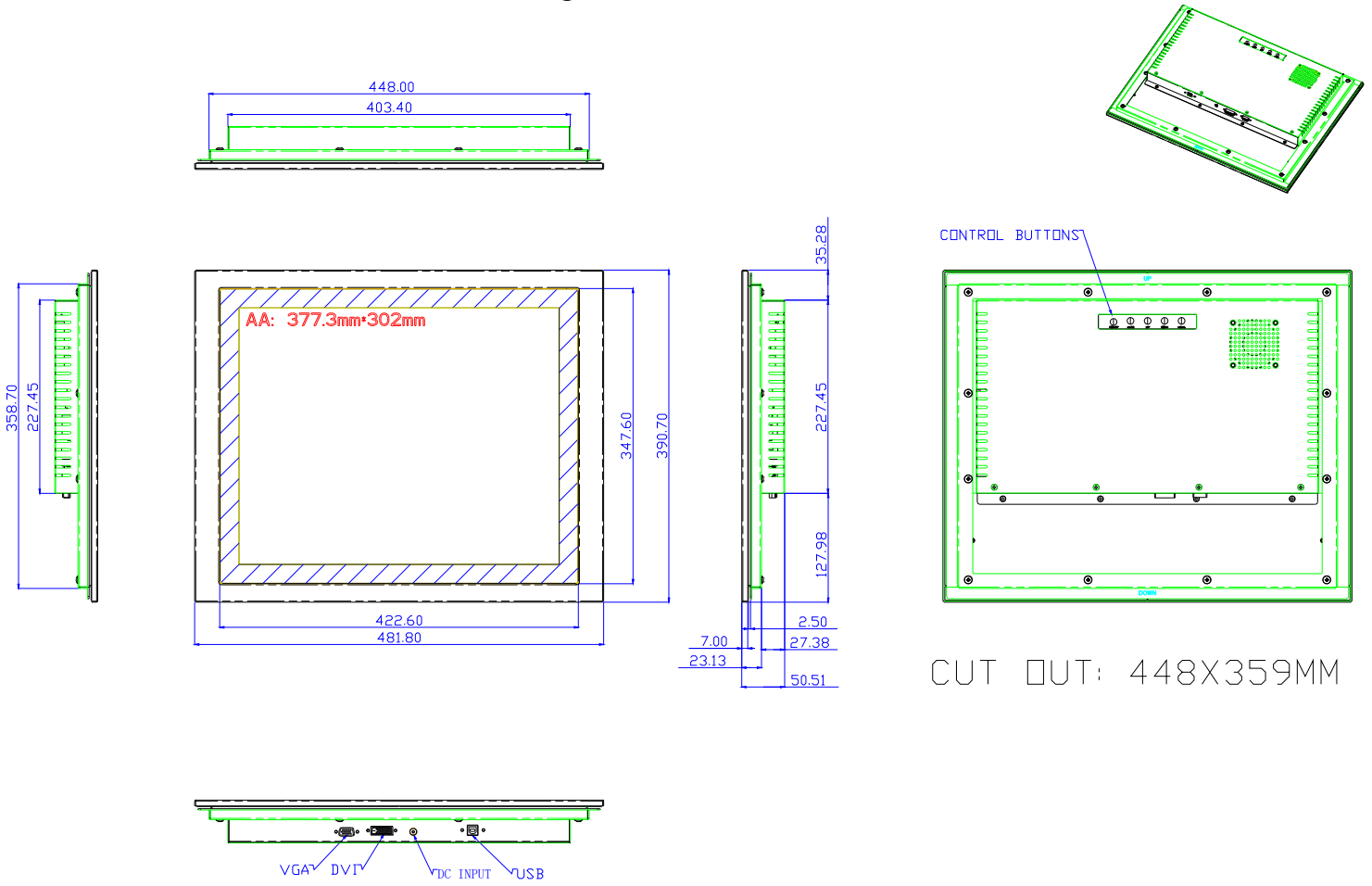
- Produces Clear, Sharp Images Even in Direct, Bright Sunlight
- 1,000 – 1,200 nits Brightness
- Optically Bonded
- Anti-Glare Glass
- 5-Wire Resistive or Projected Capacitive Touch Screen
- Waterproof Stainless Steel Panel-Mount Enclosure
- Auto Re-Start After Power Loss
- High Temperature Operation: Up to +185 °F
- 3 Year Warranty

The SRMOBTWP-19 Series are 19" Sunlight Readable Touch Screen monitors in a panel-mount enclosure. They are designed for use in direct bright sunlight, or other high ambient light environments. The 1,000 nits of brightness ensure bright, crystal-clear images. The stainless steel panel-mount enclosure enables you to flush mount it into walls, dashboards, kiosks and machinery. The NEMA 4X front face ensures resistance to water. The Projected Capacitive touch screen can provide multi-touch capability; the resistive touch version can be activated with nearly any object, including a gloved hand.

All TRU-Vu industrial LCD monitors are specifically designed for use in demanding applications. Every TRU-Vu monitor utilizes industrial-grade components and high-end LCD panels not found in retail/consumer-grade monitors. This ensures superior image quality, improved performance and greater durability. Our 3-Year Warranty ensures you of reliable performance.

Specifications			
MODEL	SRMHOBTRWP-19C	SRMOBTWP-19C-H	SRMOBTWP-19C
LCD Panel	19" Color LCD; LED Backlights; Optically Bonded		
Touch Screen Type	5-Wire Resistive	Projected Capacitive	
Touch Interface	USB		
Resolution	1280 x 1024 (SXGA)		
Viewing Area	14.81" (W) x 11.85" (H) (376.17 mm x 300.98 mm)		
Pixel Pitch	0.294mm		
Display Colors	16.7 M		
Aspect Ratio	4:3 (5:4)		
Brightness	1,200 nits	1,000 nits	
Contrast Ratio	1,000:1		
Viewing Angle	170° (H) x 160° (V)		
Response Time	5 msec (Trf)		
Video Input	VGA & DVI		
Protective Glass	Anti-Glare		
Power	12 VDC (90-240 VAC with Included Power Brick)		
Power Consumption	48 Watts		
Enclosure	Stainless Steel; Waterproof (NEMA 4X) Front Face		
Mounting	Panel-Mount		
Operating Temperature	-22° to +185° F (-30° to +85° C)		32° to 122° F (0 to 50° C)
Warranty	3 Years		

SRMOBTWP-19 Series
19" Sunlight Readable Panel-Mount Touch



Available Options:

- Powder-Coated Steel with Non-Waterproof Front Face
- Private Label
- Direct 90-240 VAC Power