

MM-19R

Medical/Surgical LCD Display

- 19" Surgical-Grade Color LCD Display
- Conforms to UL 60601-1, 3rd Edition
- High Resolution: 1280 x 1024, 1.3 Megapixels
- Excellent Color Accuracy and Contrast
- Can Be Customized To Meet Your Needs
- 3-Year Warranty

The TRU-Vu MM-19R surgical LCD display is ideal for OR/ER/ICU, patient information and monitoring, and other medical applications. The high-brightness, high resolution monitor delivers excellent image quality and color contrast, enabling surgeons to make better/faster decisions and perform operations with maximum accuracy. The exceptionally-wide viewing angle enables multiple surgeons to clearly see on-screen images from any angle, without distortion or color shift. The MM-19R accepts a variety of HD and SD video inputs. The robust yet lightweight design and VESA-compliant mounting holes enable flexible mounting options for mobile carts, wall-mount and booms. Backed by our 3-Year Warranty, the MM-19R provides the performance and durability required for demanding OR, ER, patient information and nursing station applications.

TRU-Vu customizable LCD monitors are specifically designed for use in demanding medical, industrial and commercial applications. Every TRU-Vu monitor utilizes industrial-grade components and high-end LCD panels not found in retail/consumer-grade monitors. This ensures superior image quality, improved performance and greater durability. Visit www.TRU-Vumonitors.com for more details.

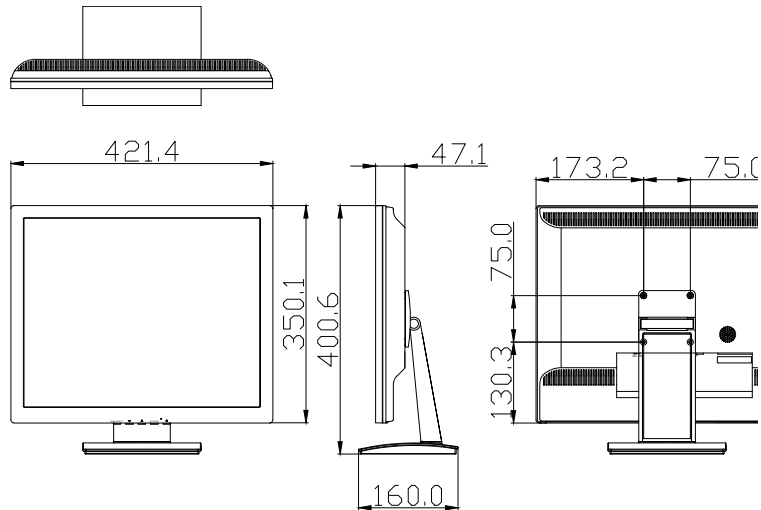
Specifications

MODEL	MM-19R
LCD Panel	19" TFT Color LCD: LED Backlights
Display Resolution	1280 x 1024 (SXGA)
Viewable Area	14.81"(W) x 11.85" (H) (376.17mm (W) x 300.99mm (H))
Pixel Pitch	0.294mm x 0.294mm
Display Colors	16.7 Million
Aspect Ratio	4:3 (5:4)
Brightness	350 nits
Contrast Ratio	1,000:1
Viewing Angle	170° (H) x 160° (V)
Response Time	5 msec Trf
Control	OSD (On-Screen Display) via Front Panel Pushbuttons
Video Inputs	VGA, HDMI, DisplayPort
Power Requirement	12VDC / 90 to 240 VAC
Enclosure	ABS
Mounting	75mm x 75mm VESA Hole Pattern (or Optional Base)
Operating Temperature	32° to 132°F / 0° to 55° C
Humidity	5-90% RH
Certifications	UL 60601-1; CAN/CSA-C22.2 No 601.1-M90: 2005; CE; FCC-B, VCCI; RoHs Compliant
Dimensions	16.59" (W) x 13.79" (H) x 1.89" (D) / (421.4 x 350.5 x 48.1 mm)
Weight	11 lbs. / 5 kg
Included Accessories	Medical-Grade External Power Brick with Hospital-Grade Green Dot Power Cord; VGA Cable; HDMI Cable, Audio Cable

MM-19R

19" Medical/Surgical LCD Display

Dimensions:



Standard Accessories:

- External Medical-Grade AC Power Supply
- Hospital-Grade Green Dot Power Cord
- VGA Cable
- HDMI Cable
- Audio Cable

Available Options:

- Internal AC Power Supply
- Tabletop Base (TTB-19-W)
- Private Label