



ZBVM-18.5 Series 18.5" HD Zero-Bezel LCD Monitor

- Zero-Bezel, Seamless, All Glass Front Face
- Sleek Design, Easy to Clean
- HD Resolution: 1366 x 768 (720p)
- Dual Built-in Speakers (Rear)
- Auto Re-Start After Power Loss
- Lockable On-Screen Display (OSD) Controls
- Can Be Customized To Meet Your Needs
- 3 Year Warranty

The ZBVM-18.5 Series offers the latest look in LCD monitor technology. The zero-bezel design removes the front bezel used on standard monitors and replaces it with a seamless edge-to-edge piece of Anti-Glare glass. Coupled with a sleek and slim black body, the ZBVM-18.5 Series is an elegant solution for healthcare, kiosks, hospitality, A/V, commercial, digital signage and other markets.

However, don't be fooled by its stylish good looks. Inside, the ZBVM-18.5 Series features the same high-quality components and rugged performance that TRU-Vu Monitors are known for. It is backed by our standard 3-Year Warranty, and will provide brilliant HD-quality images for years to come.

All TRU-Vu industrial LCD monitors are specifically designed for use in demanding applications. Every TRU-Vu monitor utilizes industrial-grade components and high-end LCD panels not found in retail/consumer-grade monitors. This ensures superior image quality, improved performance and greater durability. Our 3-Year Warranty ensures you of reliable worry-free operation. Visit www.TRU-VuMonitors.com for more details.

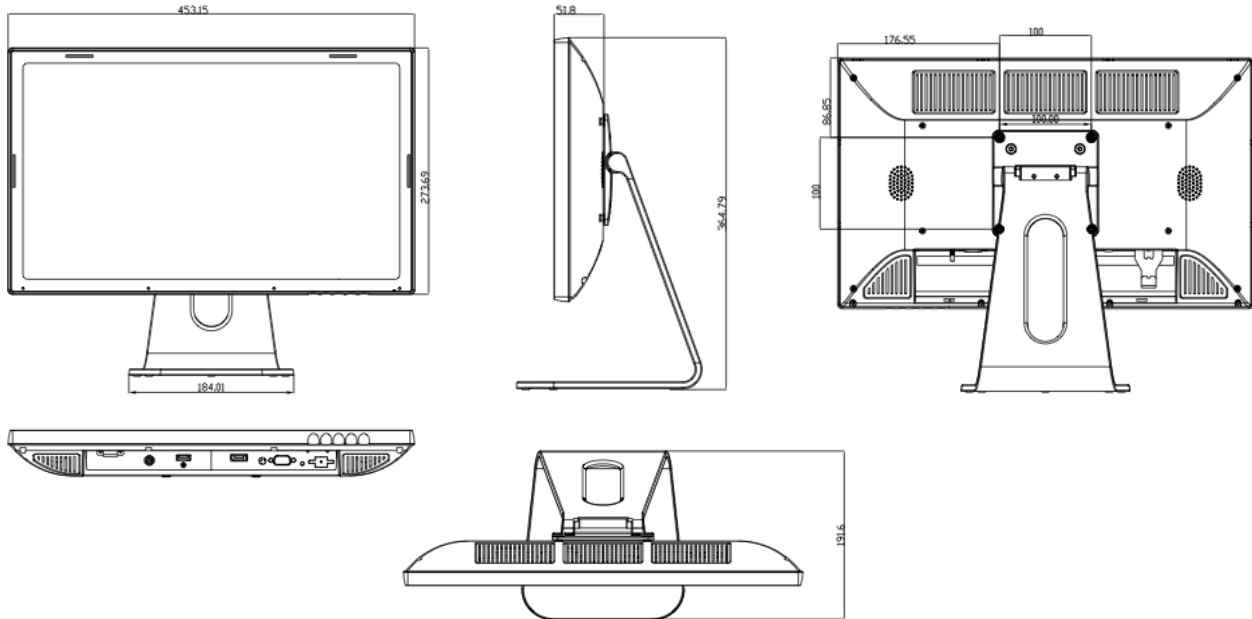
Specifications

| MODEL | CMZB-18.5 JKR | ZBVM-18.5R |
|------------------------|--|---|
| LCD Panel | 18.5" TFT Color LCD; LED Backlights | |
| Display Resolution | 1366 x 768 (WXGA) (Accepts 1920 x 1080 Full HD Inputs) | |
| Display Area | 16.13" x 9.07" (409.8 x 230.4 mm) | |
| Pixel Pitch | 0.300 mm | |
| Display Colors | 16:7 M | |
| Aspect Ratio | 16:9 | |
| Brightness | 250 nits | |
| Contrast Ratio | 1,000:1 | |
| Viewing Angle | 170° (H) x 160° (V) | |
| Response Time | 5 ms Trf | |
| Control | OSD (On Screen Display) via Pushbuttons (Lockable) | |
| Video Input Connectors | DVI, Composite (BNC Loop-Thru) (HDMI & VGA via Supplied Adapters) | VGA , HDMI, Display Port |
| Power Requirement | 12 VDC (2.1 mm Barrel Plug); 90-240 VAC via Included Power Brick | |
| Power Consumption | 16W | |
| Enclosure | ABS, Zero-Bezel Front Face Bezel Front | |
| Mounting | 100 x 100 mm Rear VESA Holes | Tabletop Base or 100 x 100 mm Rear VESA Mount Holes |
| Operating Temperature | 32° to 122° F (0 to 50° C) | |
| Dimensions | 17.84" (W) x 10.77" (H) x 2.04" (D) (453.15 x 273.69 x 51.8 mm) | |
| Weight | 9.2 lbs. (4.17 kg) | |
| Approvals | UL, FCC, CE, RoHs | |

ZBVM-18.5 Series

18.5" HD Zero-Bezel LCD Monitor

Dimensions:



Standard Accessories:

- 90-260 VAC Power Brick
- Tabletop Stand (ZBVM-18.5R Only)
- VGA Cable
- Audio Cable

Available Options:

- HDMI-to-DVI Adapter
- Protective/Anti-Reflective Glass Screen
- Touch Screen
- Private Label
- Other Customer - Specific Modifications