



### VMT-17 Series

#### 17" Industrial-Grade Touch Screen Monitor

- 5-Wire Resistive Touch or Surface Capacitive Touch
- HID Compliant; No Additional Drivers Required
- High Resolution: 1280 x 1024 (SXGA)
- Video Inputs: VGA, HDMI, DisplayPort
- -30° to +85°C high temperature panel model
- Lockable On-Screen Display (OSD) Controls
- Auto Re-Start After Power Loss
- TRU-Tuff Ensures Maximum Shock/Vibration

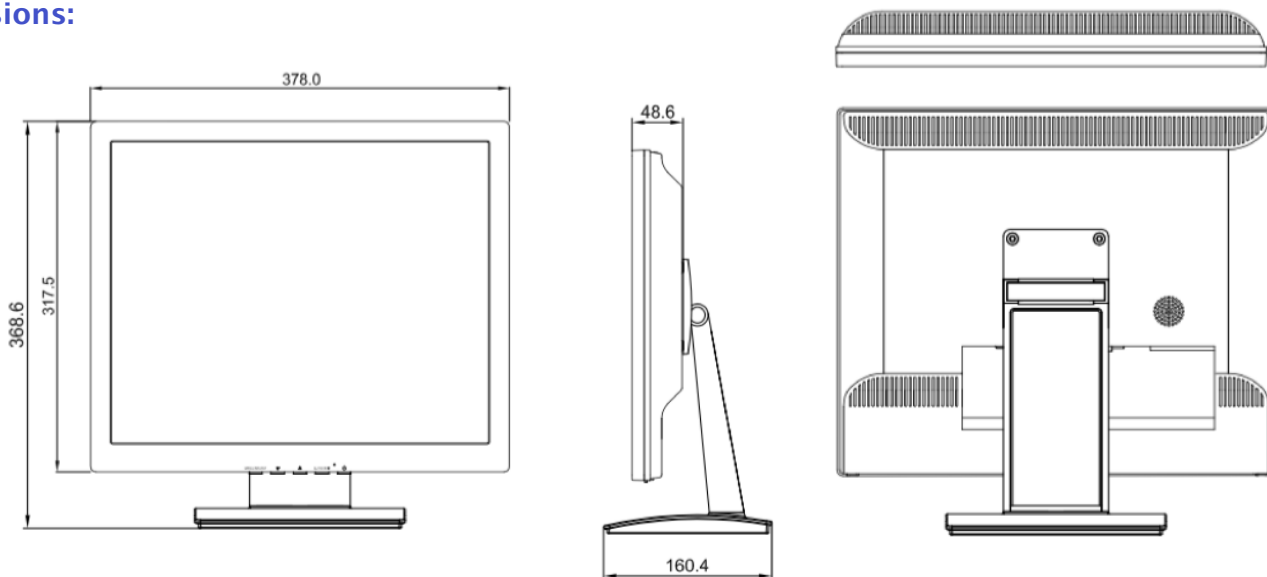
The VMTR-17 Touch Screen monitors utilize 5-wire resistive touch technology; the screen can be activated via a finger, gloved hand, credit card or stylus. The VMTC-17R-H utilizes a surface capacitive touch screen which can only be activated via an exposed human finger or special purpose stylus. The VMTC-17R-H also features a high temperature panel, allowing it to operate in extreme temperatures. They are ideal for use in a wide range of industrial, law enforcement, aviation, marine, military, inspection, advertising, material handling (cranes) and transportation. An extensive list of OEM options enables you to customize the VMT-17 Series to meet your exact needs.

All TRU-Vu industrial LCD monitors are specifically designed for use in demanding applications. Every TRU-Vu monitor utilizes industrial-grade components and high-end LCD panels not found in retail/consumer-grade monitors. This ensures superior image quality, improved performance and greater durability. Our 3-Year Warranty ensures you of reliable worry-free operation. Visit [www.TRU-VuMonitors.com](http://www.TRU-VuMonitors.com) for more details.

Specifications			
MODEL	VMTR-17C	VMTR-17V	VMTC-17R-H
LCD Panel	17" Color LCD; LED Backlights		
Touch Screen	5-Wire Resistive Touch		Surface Capacitive Touch
Touch Screen	USB		
Resolution	1280 x 1024 (SXGA)		
Viewable Area	13.30" (W) x 10.64" (H) (337.92 x 270.34 mm)		
Pixel Pitch	0.264 mm		
Display Colors	16.7M		
Aspect Ratio	4:3 (5:4)		
Brightness	250 nits		350 nits
Contrast Ratio	1,000:1		
Viewing Angle	170° (H) x 160° (V)		160° (H) x 140° (V)
Response Time	5 msec		30 msec
Control	OSD (On-Screen Display) via Front Panel Pushbuttons		
Video Inputs	VGA, DVI	VGA	VGA, HDMI, DisplayPort
Audio	Rear Facing Speaker		Optional
Power	12 VDC (90-240 VAC with Included Power Brick)		
Enclosure	ABS		
Mounting	Included Base or 75 x 75mm VESA Holes		75 x 75 Rear VESA Holes
Operating	+32° to +122° F (0° to +50° C)		-22° F to +185° F (-30° to 85°)
Humidity	5-90% RH		
Shock	50G (20 msec, 1/2 sine)		
Vibration	1.5 G RMS 10-200Hz, P-P		
Dimensions	14.88" (W) x 12.50" (H) x 1.91" (D) (378 x 317.5 x 48.6 mm)		
Weight	8.47 lbs. /3.84 kg		
Warranty	3 Year		

### VMT-17 Series 17" Industrial-Grade Touch Screen Monitor

#### Dimensions:



#### Standard Accessories:

- 90-240 VAC Power Brick Adapter
- VGA Cable
- HDMI Cable (VMTC-17R-H Only)
- Tabletop Base (VMTR-17V Only)
- USB Cable
- Audio Cable (VMTR-17V Only)
- Touch Screen Driver CD

#### Available Options:

- Panel Mount
- SAW Touch Screen
- Optical Bonding
- Open Frame Configuration
- Private Label
- 24 VDC Operation