

VMT-15.6 Series

15.6" Industrial-Grade Touch Screen LCD Monitor



- HD Resolution: 1366 x 768 (720p)
- SAW or Surface Capacitive Touch Screen
- Auto Re-Start After Power Loss
- **TRU-Tuff** Ensures Maximum Shock & Vibration Resistance
- Lockable On-Screen Display Controls
- 3 Year Warranty

The VMTS-15.6C is a S.A.W. (Surface Acoustic Wave) touch screen. It is designed for maximum light transmission and superb image quality. It has a durable glass surface with the highest level of scratch-resistance of any touch technology.

The VMTC-15.6J utilizes a Surface Capacitive touch screen. It also features excellent image quality and a durable glass surface. The screen can only be activated via a bare human finger. This can prevent accidental false-triggering.

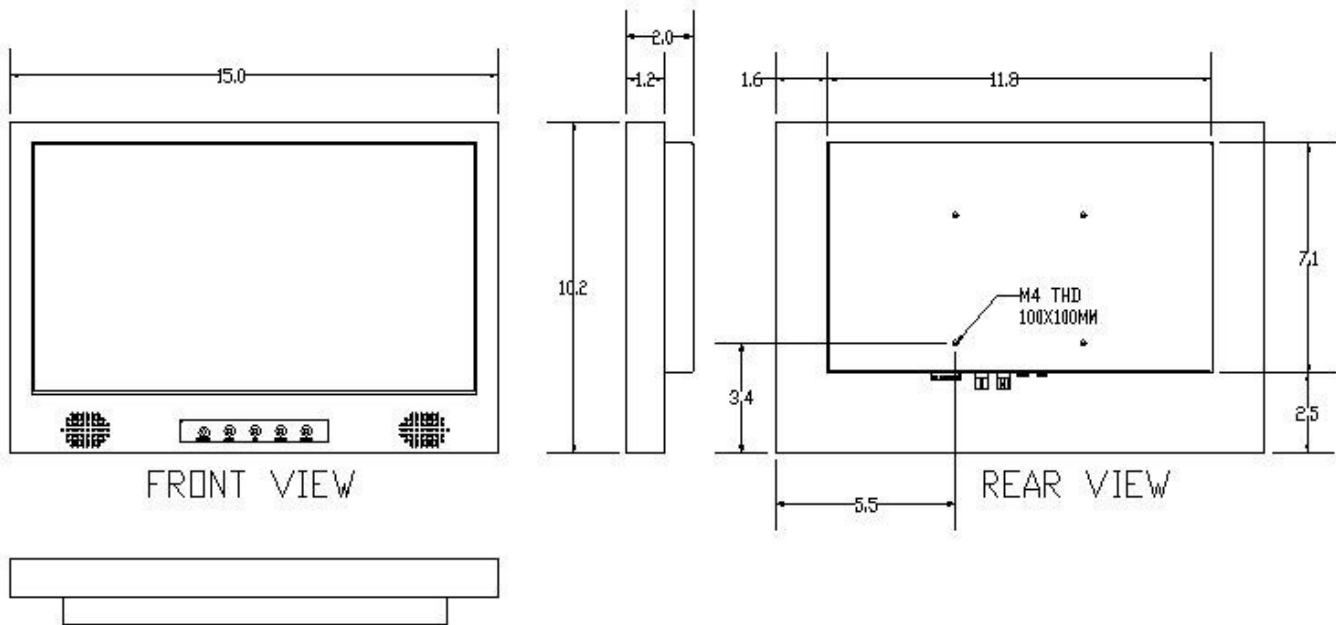
The VMT-15.6 Series Touch Screen monitors are built with industrial-grade components, and receive our exclusive **TRU-Tuff** treatment. The **TRU-Tuff** process includes: RTV silicone on all connections and critical components; all wires are dressed, tie-wrapped and secured; and ThreadLock on all screws. This, plus the rugged powder-coated steel enclosure, ensures maximum shock and vibration resistance.

Specifications

MODEL	VMTS-15.6R	VMTS-15.6C	VMTC-15.6J
LCD Panel	15.6" Color LCD; LED Backlights		
Touch Technology	SAW (Surface Acoustic Wave)		Surface Capacitive
Touch Interface	USB		
Resolution	1366 x 768 (WXGA) (Will Accept Video Inputs up to 1920 x 1080 resolution)		
Viewable Area	13.55" (W) x 7.62" (H) (344.23 x 193.53 mm)		
Pixel Pitch	0.252mm		
Display Colors	16.2 M		
Aspect Ratio	16:9		
Brightness	400 nits		
Contrast Ratio	500:1		
Viewing Angle	170° (H) x 160° (V)		
Response Time	8 msec Trf		
Control	OSD (On-Screen Display) via Front Panel Pushbuttons		
Video Inputs	VGA, HDMI, DisplayPort	VGA and DVI	DVI, Composite (BNC)
In / Output Impedance	—		75Ω / Auto Terminating
Power Requirement	12VDC (90-240 VAC via Included Power Brick)		
Power Consumption	25 Watts		
Enclosure	Powder-Coated Steel		
Mounting	100x100mm Rear VESA Hole Pattern or Optional Tabletop Base		
Operating Temperature	+32° to 140° F (0° to +60° C)		
Humidity	5-90% RH		
Shock	50 G (20 msec, ½ sine)		
Vibration	1.5G RMS 10-200 HZ		
Dimensions	15.0" (W) x 10.2" (H) x 2.0" (D) (381.0 x 259.08 x 50.80 mm)		
Weight	8.22 lbs. (3.73 kg)		

VMT-15.6 Series 15.6" Industrial-Grade Touch Screen LCD Monitor

Dimensions



Standard Accessories:

- VGA Cable
- DVI Cable
- 90-240VAC Power Supply
- USB Cable

Available Options:

- Dim-to-Black Pushbuttons
- Tabletop Base
- Speakers
- Resistive Touch Screen
- Panel Mount
- Open-Frame Configuration
- Private Label